

1

2

3

4

5

6

7

8

9

10

11

A

B

C

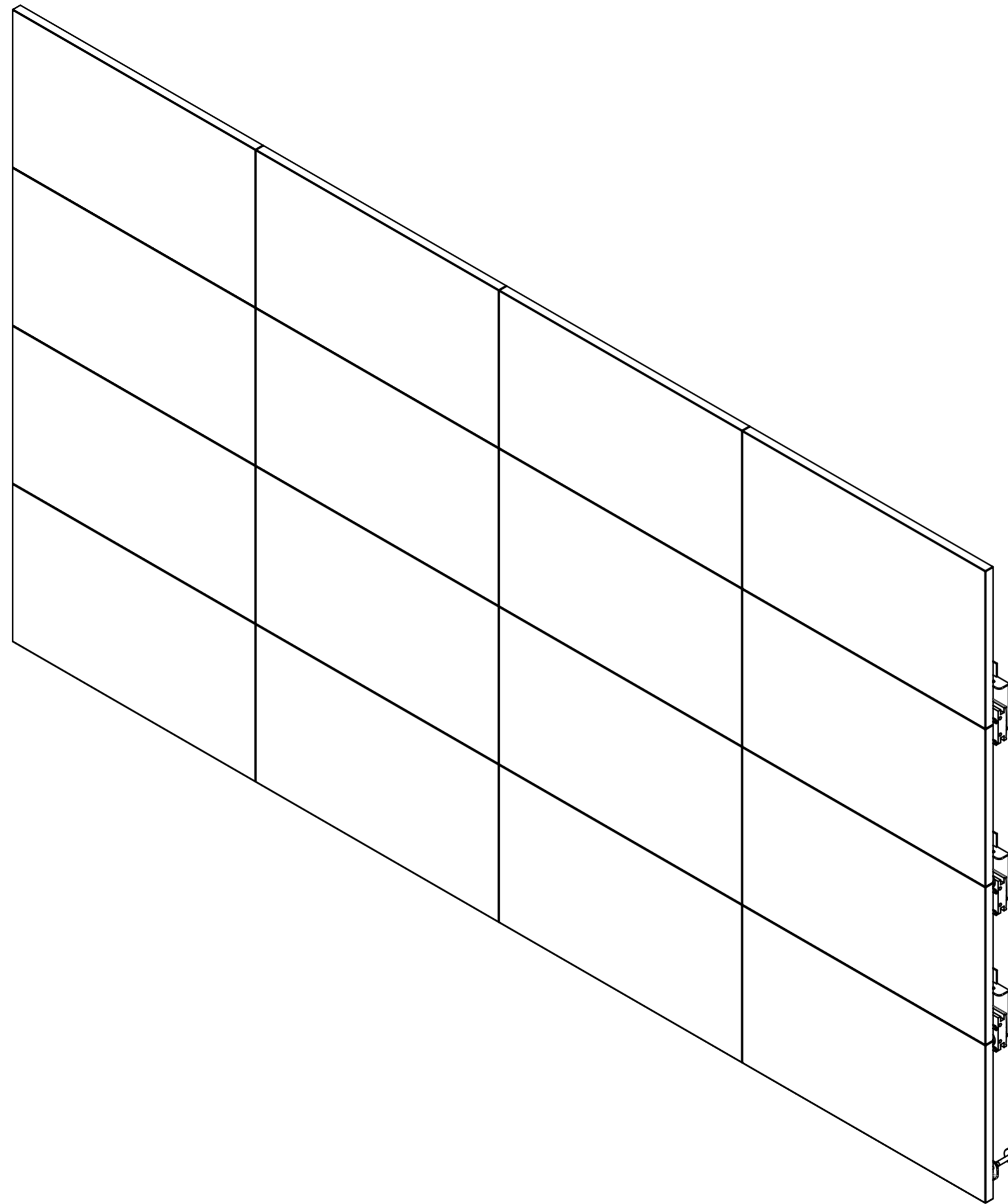
D

E

F

G

H



LED - 375 LED - IN HD - 4x4
 The purpose of this document is to provide the installer with guidelines for the installation of a Video wall as shown in this document. Final responsibility for the installation of the specific project resides with the installer of record.
 This document is the property of Vogel's and may not be copied nor sold without Vogel's consent.

Front view - ISO



Original date: 18-10-24
 Release date:

Title: V100 6471 LED FIXED TO WALL Pre-RFQ

Drawing no. DW STRAIGHT VIDEOWALL CONFIGURATION of 6
 Sheet 1 of 6

This document is the property of Vogel's and may not be copied nor sold without Vogel's consent

1

2

3

4

5

6

7

8

9

10

11

A

B

C

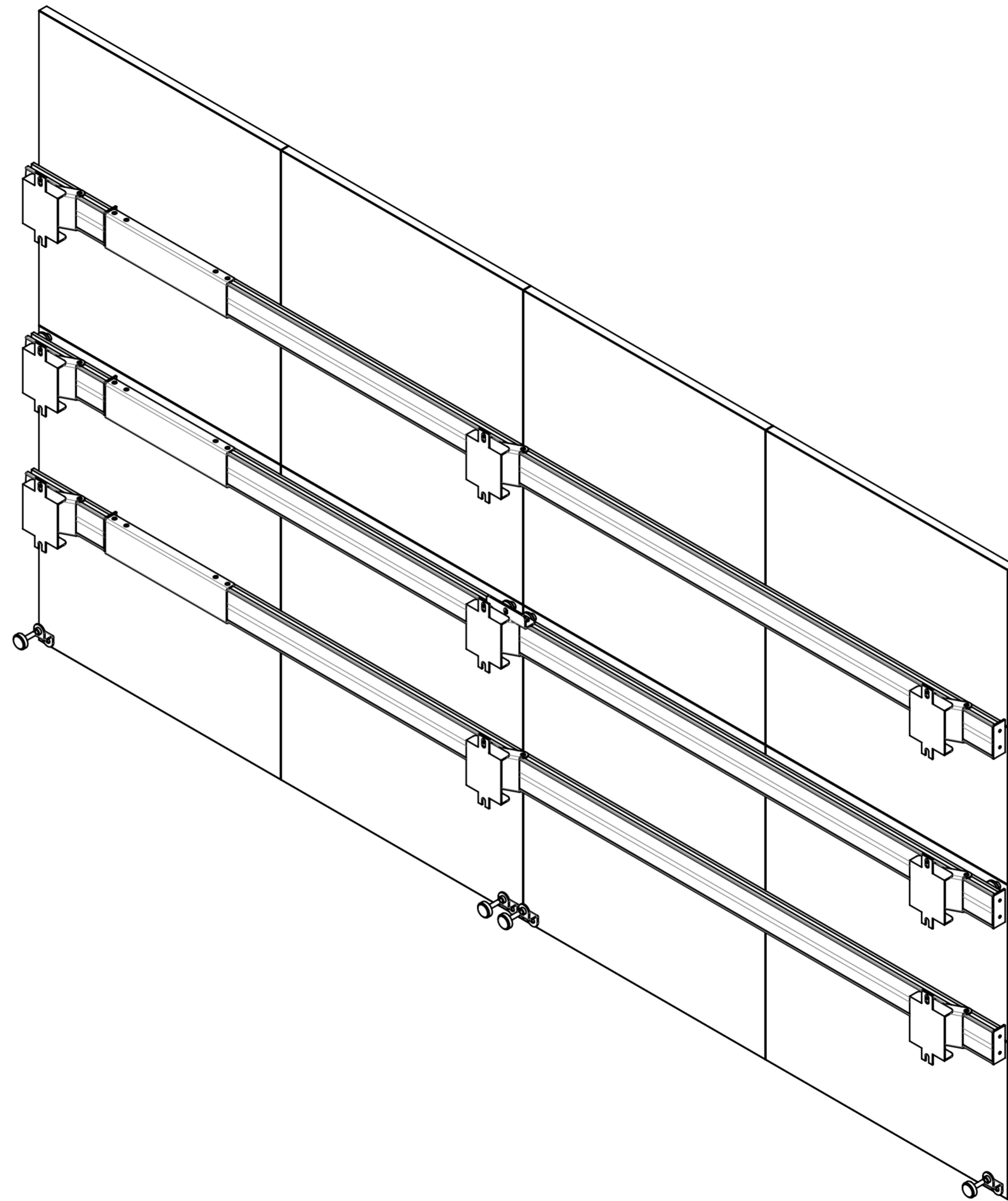
D

E

F

G

H



Rear view - ISO



Original date: 18-10-24
Release date:

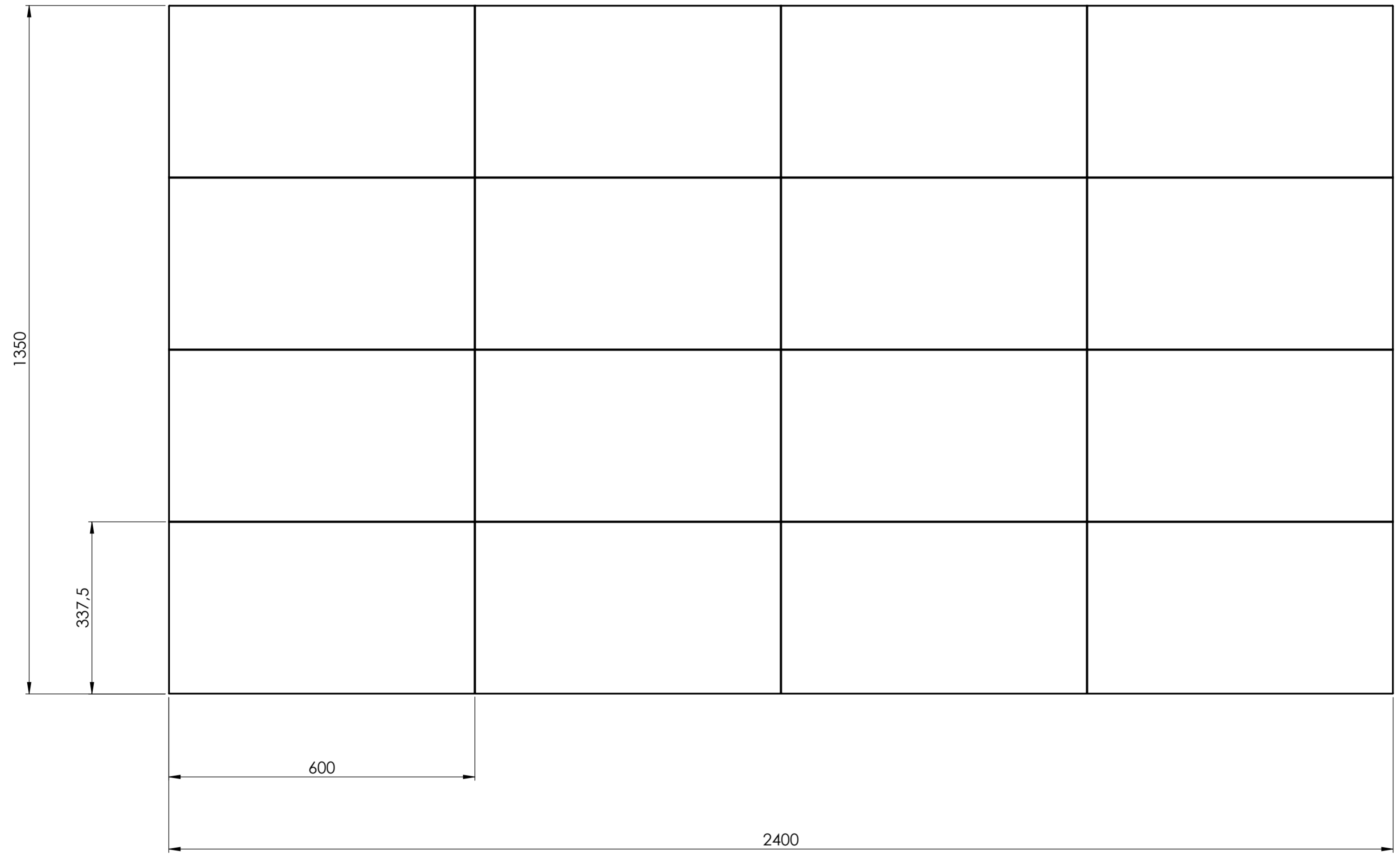
Title: **V100 6471 LED FIXED TO WALL Pre-RFQ**

Drawing no. **DW STRAIGHT VIDEOWALL CONFIGURATION** Sheet 2 of 6

This document is the property of Vogel's and may not be copied nor sold without Vogel's consent

Minimum distance wall to front of the display: 60mm (-0/+40mm)

A
B
C
D
E
F
G
H



Front view



Title: **V100 6471 LED FIXED TO WALL Pre-RFQ**

Drawing no. **DW STRAIGHT VIDEOWALL CONFIGURATION** Sheet **3** of **6**

1 2 3 4 5 6 7 8 9

10 11

A

B

C

D

E

F

G

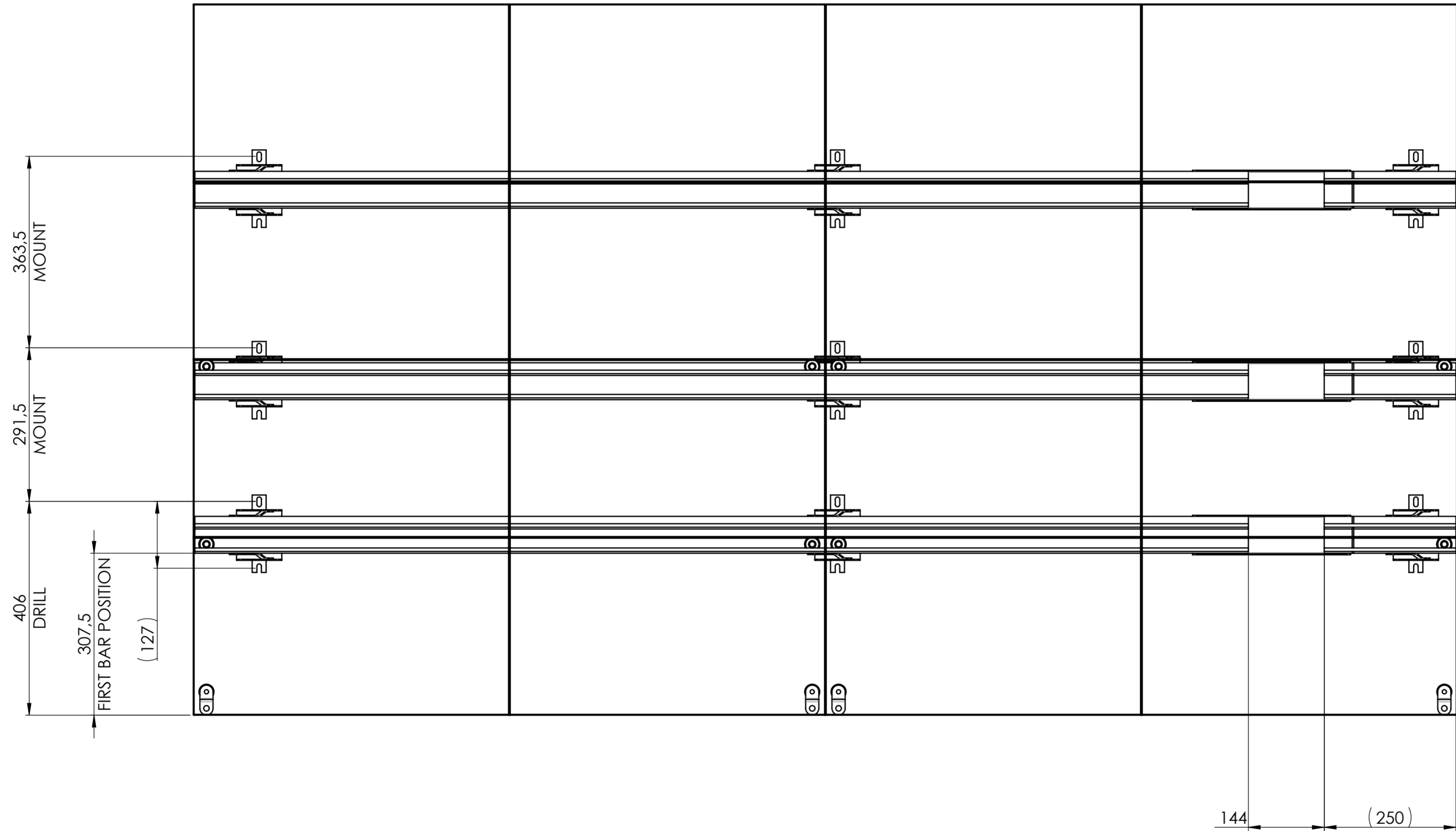
H

MINIMUM ANCHOR PULL OUT FORCE
FLOOR PLATE:
6 KN PER ANCHOR
PLUG CALCULATION/SPECIFICATION:
TO BE DONE BY INSTALLER

MINIMUM ANCHOR PULL OUT FORCE
WALL SUPPORT:
1 KN PER ANCHOR
PLUG CALCULATION/SPECIFICATION:
TO BE DONE BY INSTALLER

REFER TO COMPONENT MANUALS
FOR INSTALLATION ADVICE

LED Drill setup
Distance between holes per
bracket: 127mm;
Distance from bottom of Videowall
to first bracket (top hole of bracket):
406mm;
First distance: 291.5mm;
Second distance: 363.5mm (1x);



Front view - Drilling locations

vogel's
Original date: 18-10-24
Release date:

Title: **V100 6471 LED FIXED TO WALL Pre-RFQ**
Drawing no. **DW STRAIGHT VIDEOWALL CONFIGURATION** Sheet **4** of **6**

This document is the property of Vogel's and may not be copied nor sold without Vogel's consent

1 2 3 4 5 6 7 8 9

10 11

A

B

C

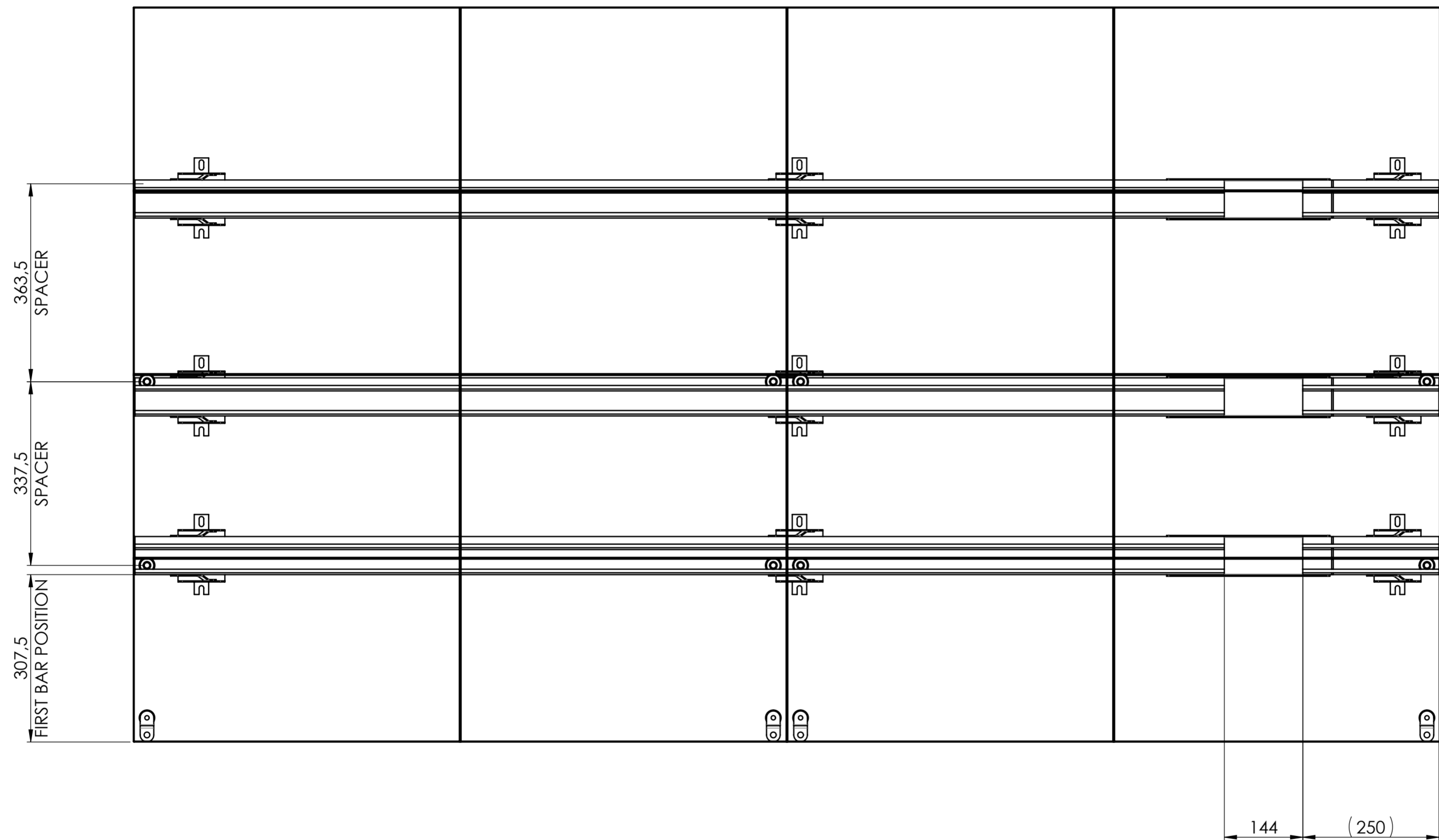
D

E

F

G

H



MINIMUM ANCHOR PULL OUT FORCE
FLOOR PLATE:
6 KN PER ANCHOR
PLUG CALCULATION/SPECIFICATION:
TO BE DONE BY INSTALLER

MINIMUM ANCHOR PULL OUT FORCE
WALL SUPPORT:
1 KN PER ANCHOR
PLUG CALCULATION/SPECIFICATION:
TO BE DONE BY INSTALLER

REFER TO COMPONENT MANUALS
FOR INSTALLATION ADVICE

LED Spacer setup
First distance: 337.5mm
Second distance: 363.5mm (1x);
Place first PLA9305 cabinet bolt
always in lowest rail, all other
PLA9305 cabinet bolts are placed in
top rail

Front view - Spacer



Original date: 18-10-24
Release date:

Title: **V100 6471 LED FIXED TO WALL Pre-RFQ**

Drawing no. **DW STRAIGHT VIDEOWALL CONFIGURATION** Sheet 13 of 6

1 2 3 4 5 6 7 8 9

10 11

A

B

C

D

E

F

G

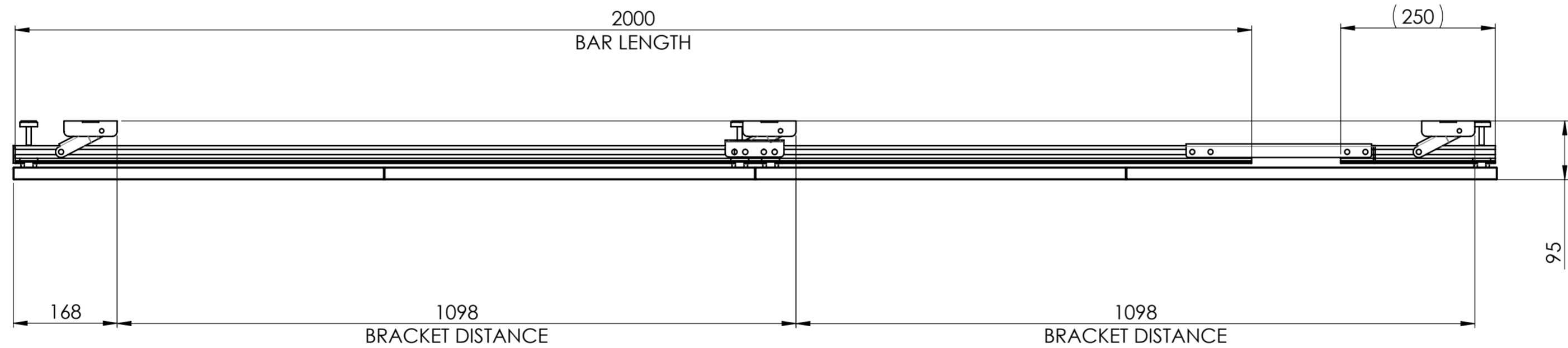
H

MINIMUM ANCHOR PULL OUT FORCE
 FLOOR PLATE:
6 KN PER ANCHOR
 PLUG CALCULATION/SPECIFICATION:
 TO BE DONE BY INSTALLER

REFER TO COMPONENT MANUALS
 FOR INSTALLATION ADVICE

PLB 31xx horizontal support profile
 configuration:
 PLB bar set per row: (1x) PLB 3120
 (2000mm);
 PLA 9303 extension length: (1x)
 144mm
 TOTAL PROFILE LENGTH (MAXIMUM):
 2394mm;
 MINIMUM PROFILE LENGTH: 2364mm;

Distance between PLA 9302
 brackets: (2x) 1098mm
 Distance between PLA 9302
 brackets is advised but can be
 deviated from. Maximum distance
 between edge of Videowall and
 first PLA 9302 bracket centreline:
 1030mm. Maximum distance
 between PLA 9302 brackets:
 1600mm



Top view - Fixed to wall



Original date: 18-10-24
Release date:

Title: **V100 6471 LED FIXED TO WALL Pre-RFQ**

Drawing no. **DW STRAIGHT VIDEOWALL CONFIGURATION** Sheet **18** of **6**