

A

B

C

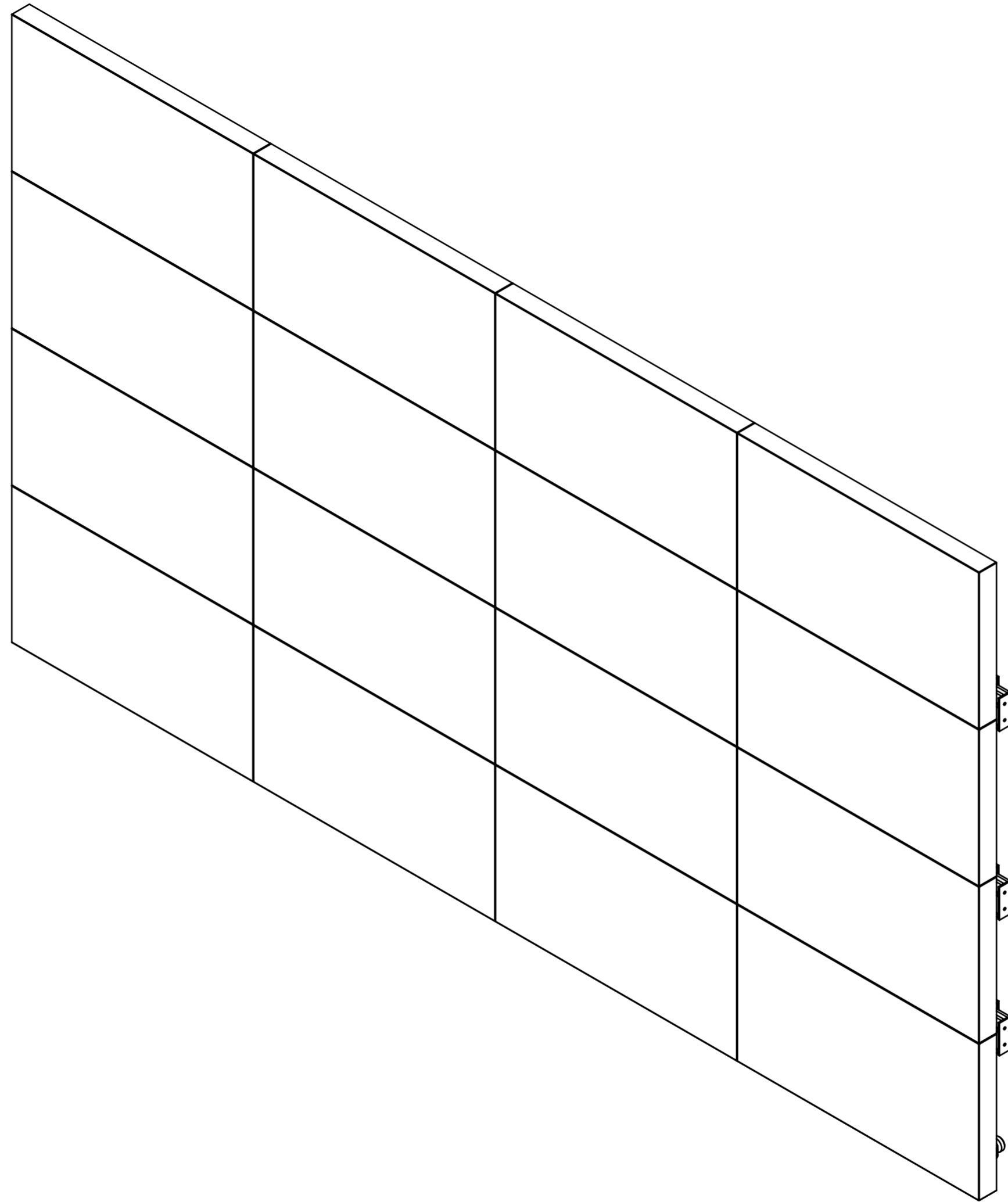
D

E

F

G

H



LED - 375 LED - IN The Best - 4x4
 The purpose of this document is to provide the installer with guidelines for the installation of a Video wall as shown in this document. Final responsibility for the installation of the specific project resides with the installer of record.
 This document is the property of Vogel's and may not be copied nor sold without Vogel's consent.

Front view - ISO
 Title: V100 6742 LED - FIXED TO WALL Pre-RFQ

vogel's
 Original date: 12-11-24
 Release date:

Drawing no: DW100-6742-LED-FIXED TO WALL
 Sheet 1 of 6

FOR QUOTATION ONLY

1

2

3

4

5

6

7

8

9

10

11

A

B

C

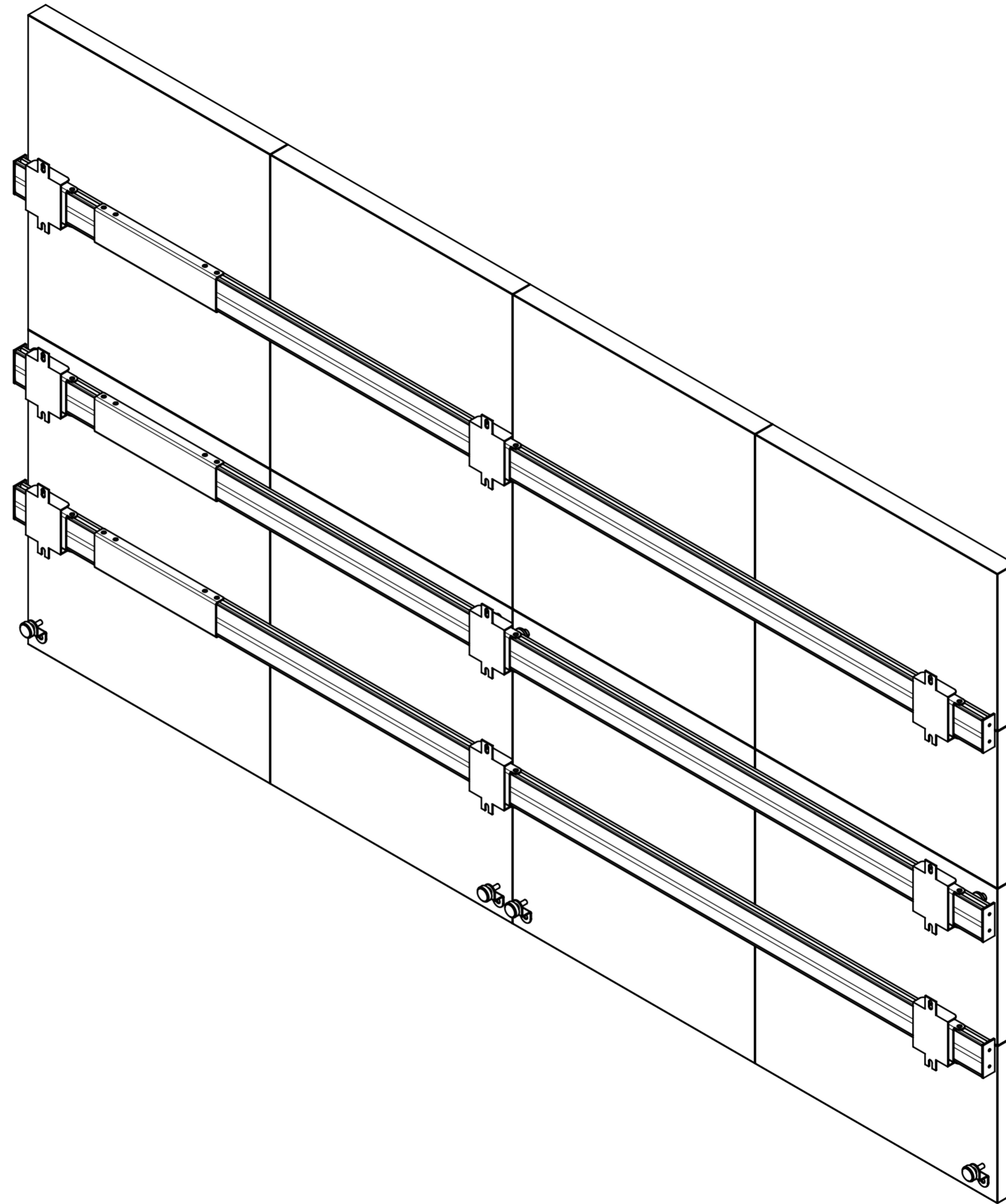
D

E

F

G

H



Rear view - ISO
 Title: V100 6742 100" FIXED TO WALL Pre-RFQ

vogel's
 Original date: 12-11-24
 Release date:

Drawing no. DW-100-6742-100" FIXED TO WALL Pre-RFQ
 A2 Sheet 2 of 6

FOR QUOTATION ONLY

This document is the property of Vogel's and may not be copied nor sold without Vogel's consent

Minimum distance wall to front of the display: 85mm (-0/+40mm)

A

B

C

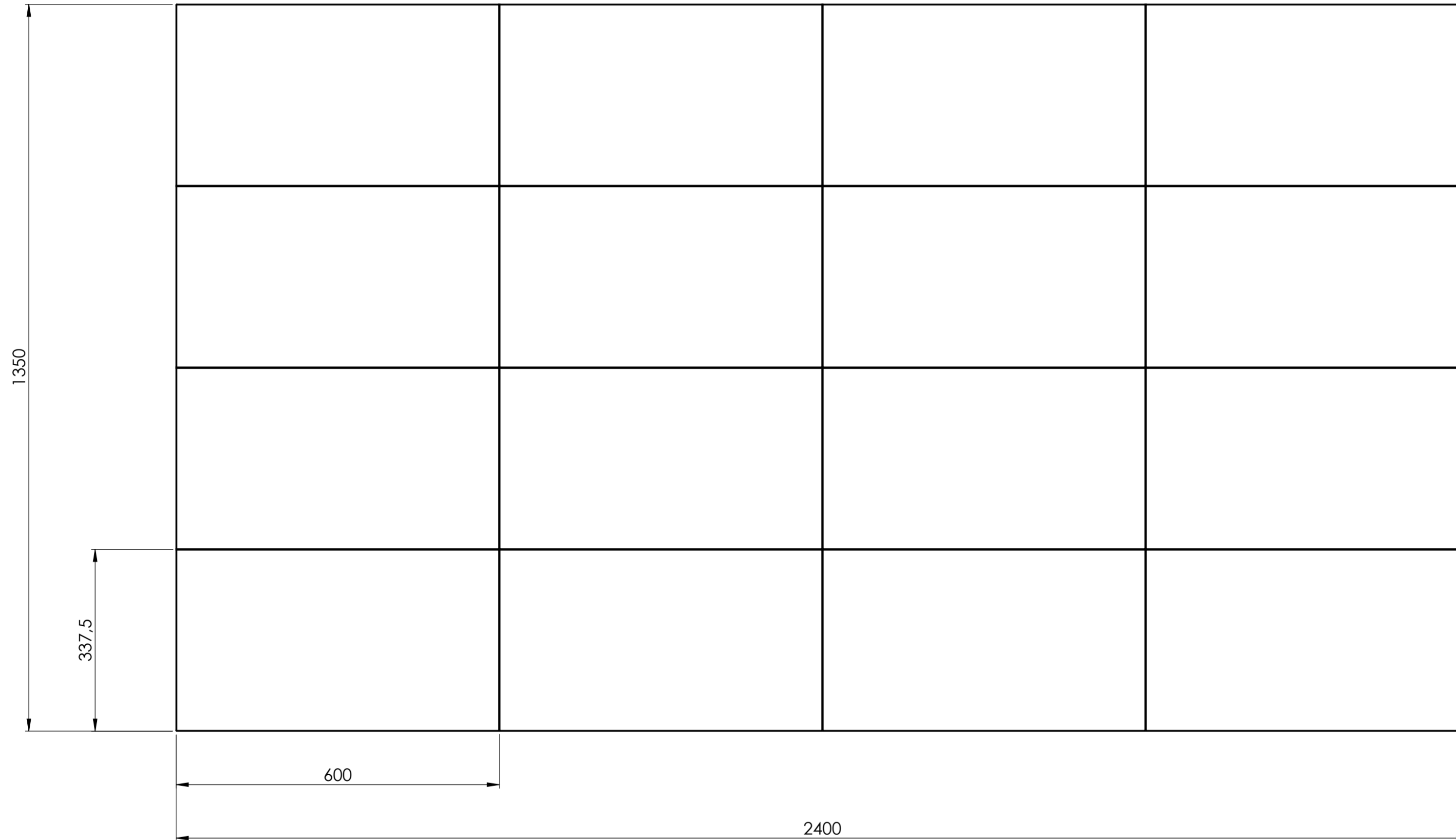
D

E

F

G

H



Front view
Title: V100 6742 EB - FIXED TO WALL Pre-RFQ

vogel's
Original date: 12-11-24
Release date:

Drawing no. DW 100 6742 EB
Title: STRAIGHT VIDEOWALL CONFIGURATION
A2 Sheet 3 of 6

FOR QUOTATION ONLY

1 2 3 4 5 6 7 8 9

10 11

A

B

C

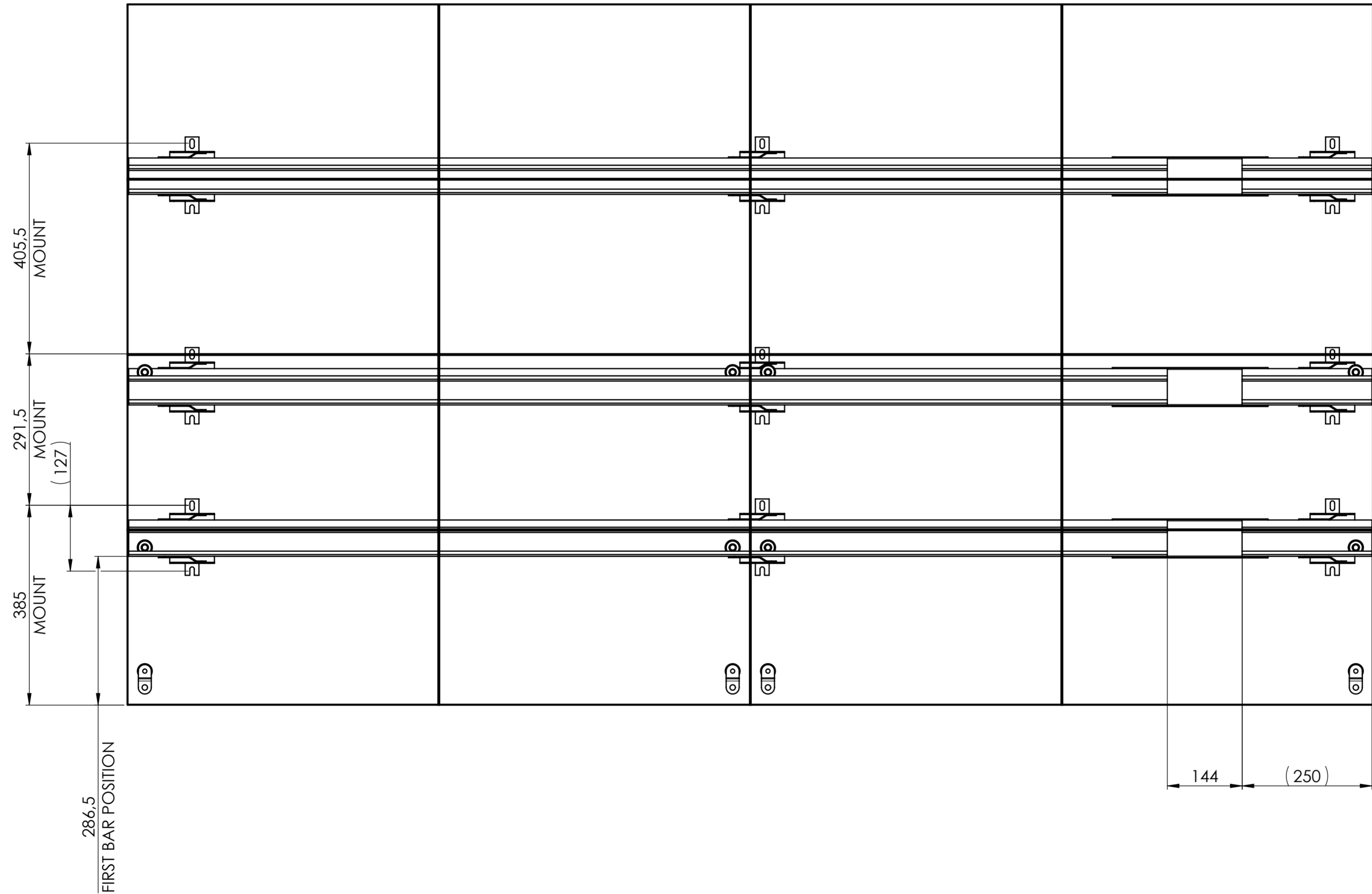
D

E

F

G

H



MINIMUM ANCHOR PULL OUT FORCE
FLOOR PLATE:
6 KN PER ANCHOR
PLUG CALCULATION/SPECIFICATION:
TO BE DONE BY INSTALLER

MINIMUM ANCHOR PULL OUT FORCE
WALL SUPPORT:
1 KN PER ANCHOR
PLUG CALCULATION/SPECIFICATION:
TO BE DONE BY INSTALLER

REFER TO COMPONENT MANUALS
FOR INSTALLATION ADVICE

LED Drill setup
Distance between holes per
bracket: 127mm;
Distance from bottom of Videowall
to first bracket (top hole of bracket):
385mm;
First distance: 291.5mm;
Second distance: 405.5mm (1x);

Front view - Drilling locations

Title: V100 6742 LED FIXED TO WALL Pre-RFQ



Original date: 12-11-24
Release date:

Drawing no. DW 100 6742 LED FIXED TO WALL Pre-RFQ Sheet 4 of 6

FOR QUOTATION ONLY

1 2 3 4 5 6 7 8 9

10 11

A

B

C

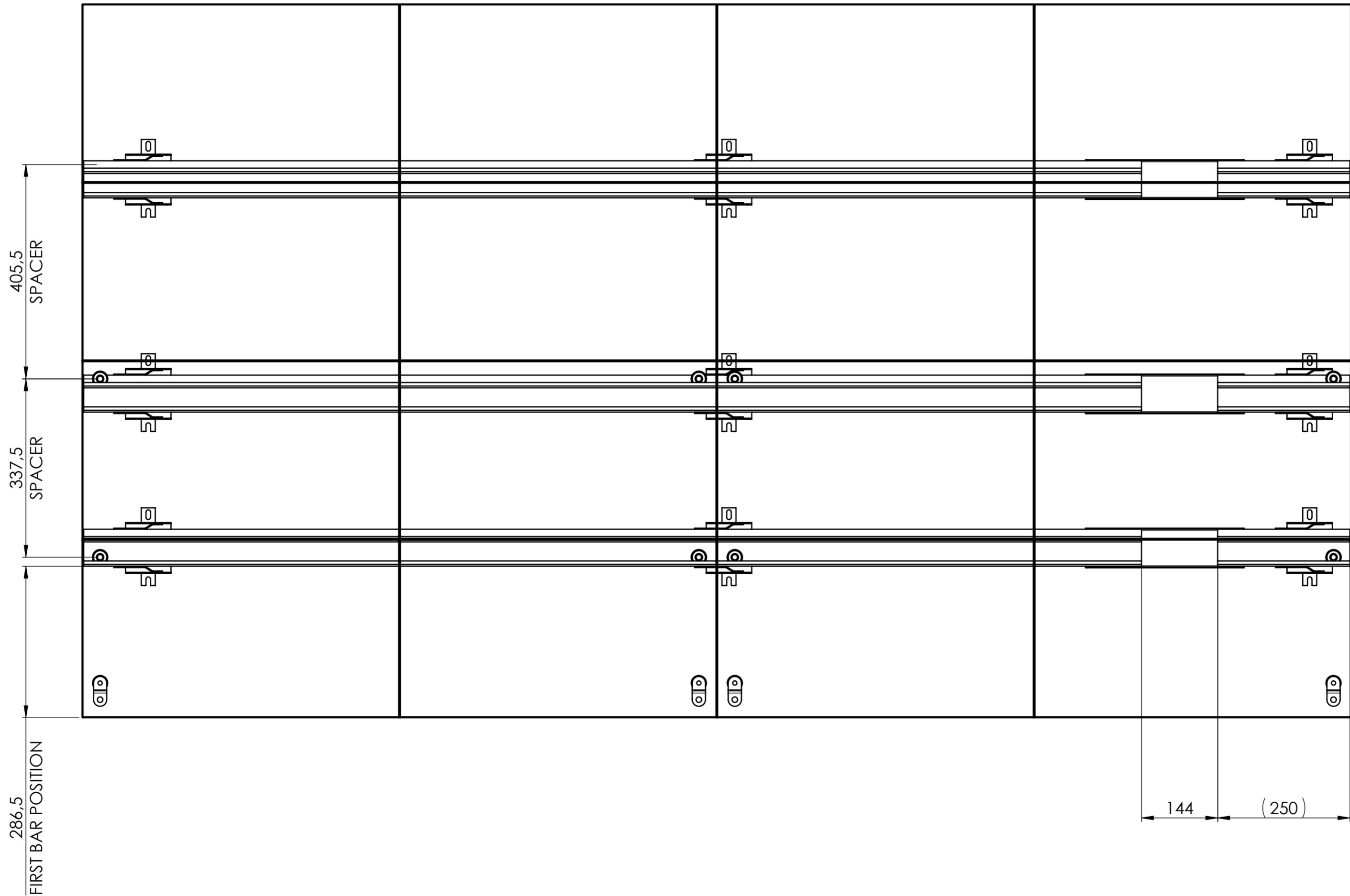
D

E

F

G

H



MINIMUM ANCHOR PULL OUT FORCE FLOOR PLATE: 6 KN PER ANCHOR PLUG CALCULATION/SPECIFICATION: TO BE DONE BY INSTALLER
MINIMUM ANCHOR PULL OUT FORCE WALL SUPPORT: 1 KN PER ANCHOR PLUG CALCULATION/SPECIFICATION: TO BE DONE BY INSTALLER
REFER TO COMPONENT MANUALS FOR INSTALLATION ADVICE

LED Spacer setup
 First distance: 337.5mm
 Second distance: 405.5mm (1x);
 Place first PLA9305 cabinet bolt
 always in lowest rail, all other
 PLA9305 cabinet bolts are placed in
 top rail

Front view - Spacer
 Title: V100 6742 LED FIXED TO WALL Pre-RFQ

vogel's
 Original date: 12-11-24
 Release date:

Drawing no. DW100 6742 LED FIXED TO WALL CONFIGURATION A2 Sheet 3 of 6

FOR QUOTATION ONLY

This document is the property of Vogel's and may not be copied nor sold without Vogel's consent

1 2 3 4 5 6 7 8 9

10 11

A

B

C

D

E

F

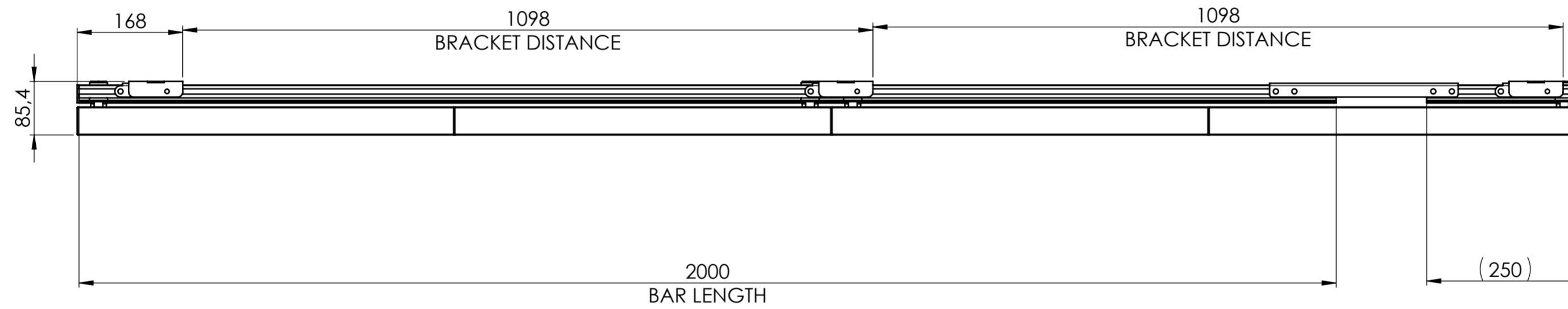
G

H

<p>MINIMUM ANCHOR PULL OUT FORCE FLOOR PLATE: 6 KN PER ANCHOR PLUG CALCULATION/SPECIFICATION: TO BE DONE BY INSTALLER</p>
<p>REFER TO COMPONENT MANUALS FOR INSTALLATION ADVICE</p>

PLB 31xx horizontal support profile configuration:
 PLB bar set per row: (1x) PLB 3120 (2000mm);
 PLA 9303 extension length: (1x) 144mm
 TOTAL PROFILE LENGTH (MAXIMUM): 2394mm;
 MINIMUM PROFILE LENGTH: 2346mm;

Distance between PLA 9302 brackets: (2x) 1098mm
 Distance between PLA 9302 brackets is advised but can be deviated from. Maximum distance between edge of Videowall and first PLA 9302 bracket centreline: 1030mm. Maximum distance between PLA 9302 brackets: 1600mm



Top view - Fixed to wall
 Title: V100 6742 EB - FIXED TO WALL Pre-RFQ

vogel's
 Original date: 12-11-24
 Release date:

Drawing no: DW 100 6742 EB
 Title: STRAIGHT VIDEOWALL CONFIGURATION
 Sheet 18 of 6

FOR QUOTATION ONLY

This document is the property of Vogel's and may not be copied nor sold without Vogel's consent