

A

B

C

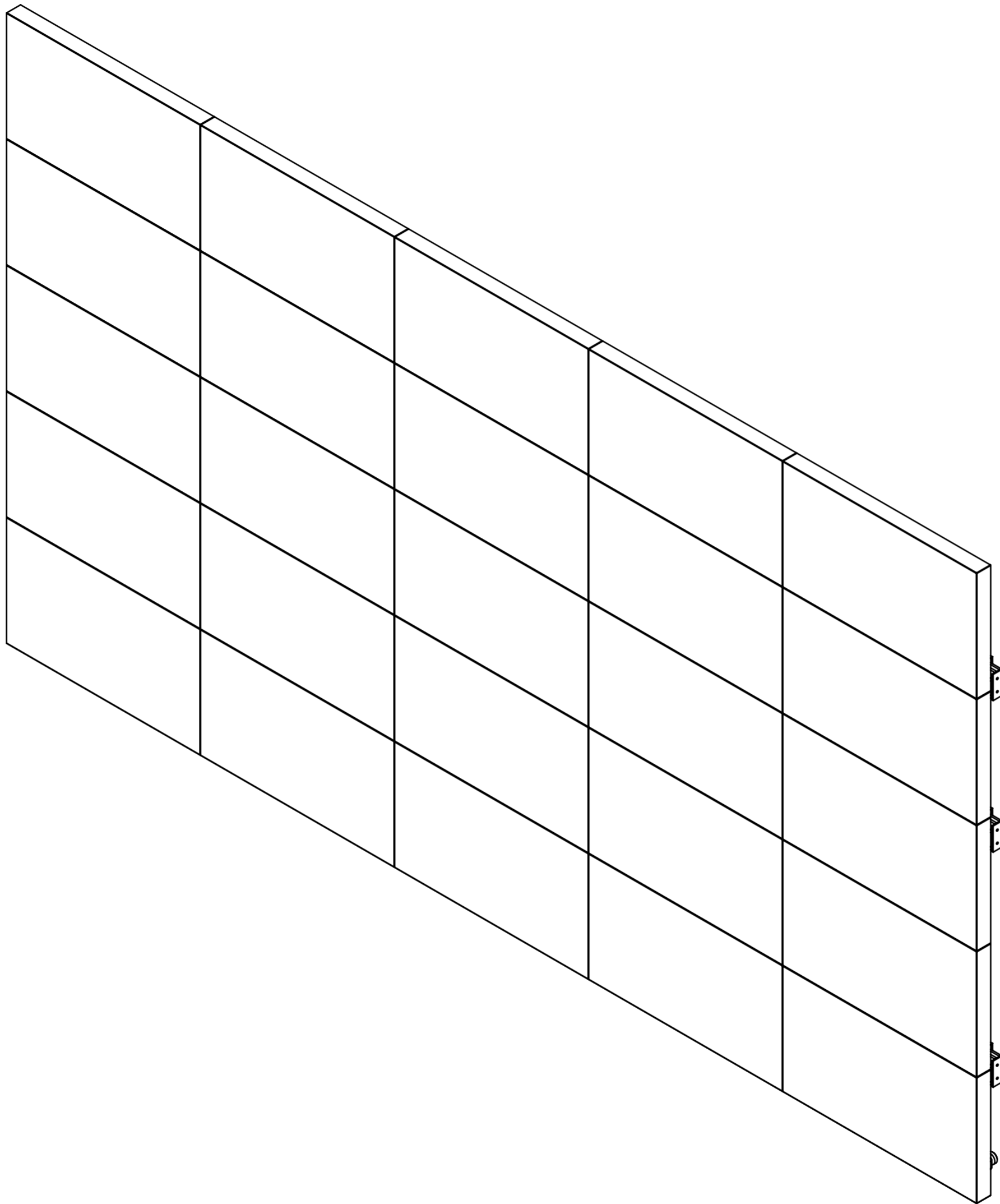
D

E

F

G

H



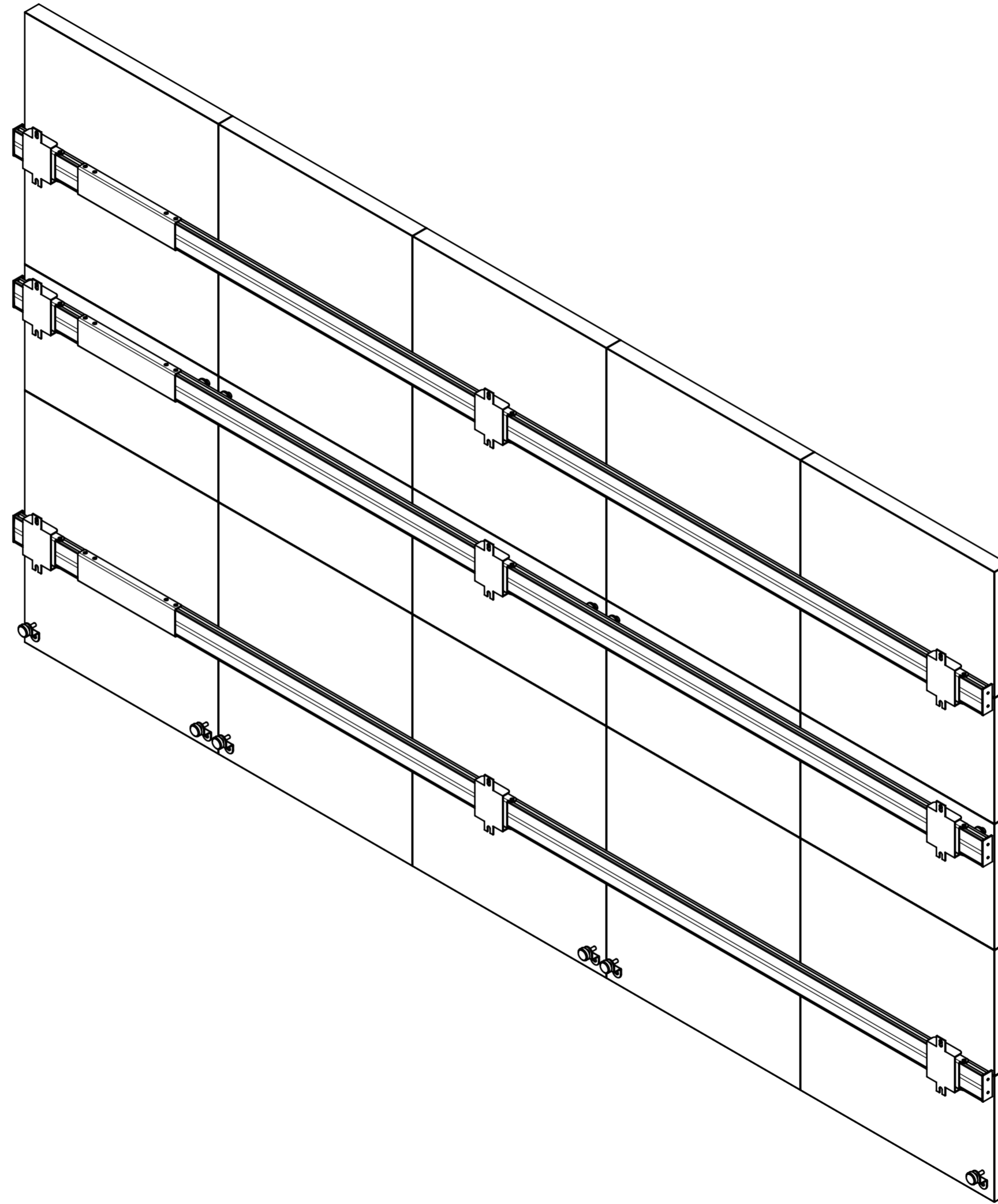
LED - 375 LED - IN The Best - 5x5  
 The purpose of this document is to provide the installer with guidelines for the installation of a Video wall as shown in this document. Final responsibility for the installation of the specific project resides with the installer of record.  
 This document is the property of Vogel's and may not be copied nor sold without Vogel's consent.

Front view - ISO  
 Title: V100 6741 LED - FIXED TO WALL Pre-RFQ

**vogel's**  
 Original date: 12-11-24  
 Release date:

Drawing no: DW100 6741 LED - FIXED TO WALL  
 Title: STRAIGHT VIDEOWALL CONFIGURATION  
 Sheet 1 of 6

**FOR QUOTATION ONLY**



**vogel's**  
 Original date: 12-11-24  
 Release date:

Rear view - ISO  
 Title: V100 6741 EB FIXED TO WALL Pre-RFQ

Drawing no. DW-100-6741-EB-01  
 Sheet 2 of 6

**FOR QUOTATION ONLY**

Minimum distance wall to front of the display: 85mm (-0/+40mm)

A

B

C

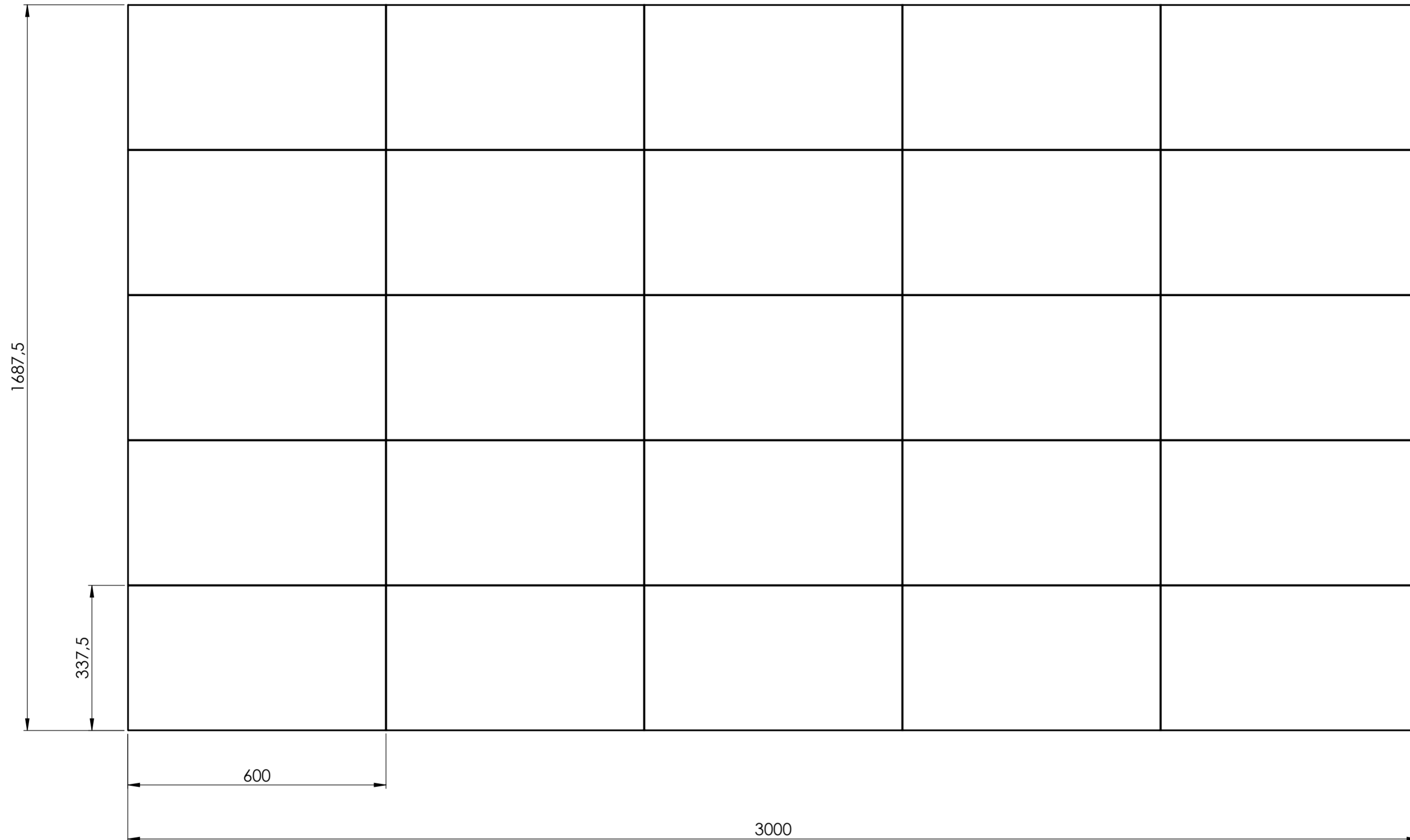
D

E

F

G

H



Front view  
Title: V100 6741 EB FIXED TO WALL Pre-RFQ

**vogel's**  
Original date: 12-11-24  
Release date:

Drawing no: DW 100 6741 EB  
Title: STRAIGHT VIDEOWALL CONFIGURATION  
Sheet 3 of 6

**FOR QUOTATION ONLY**

1 2 3 4 5 6 7 8 9

10 11

A

B

C

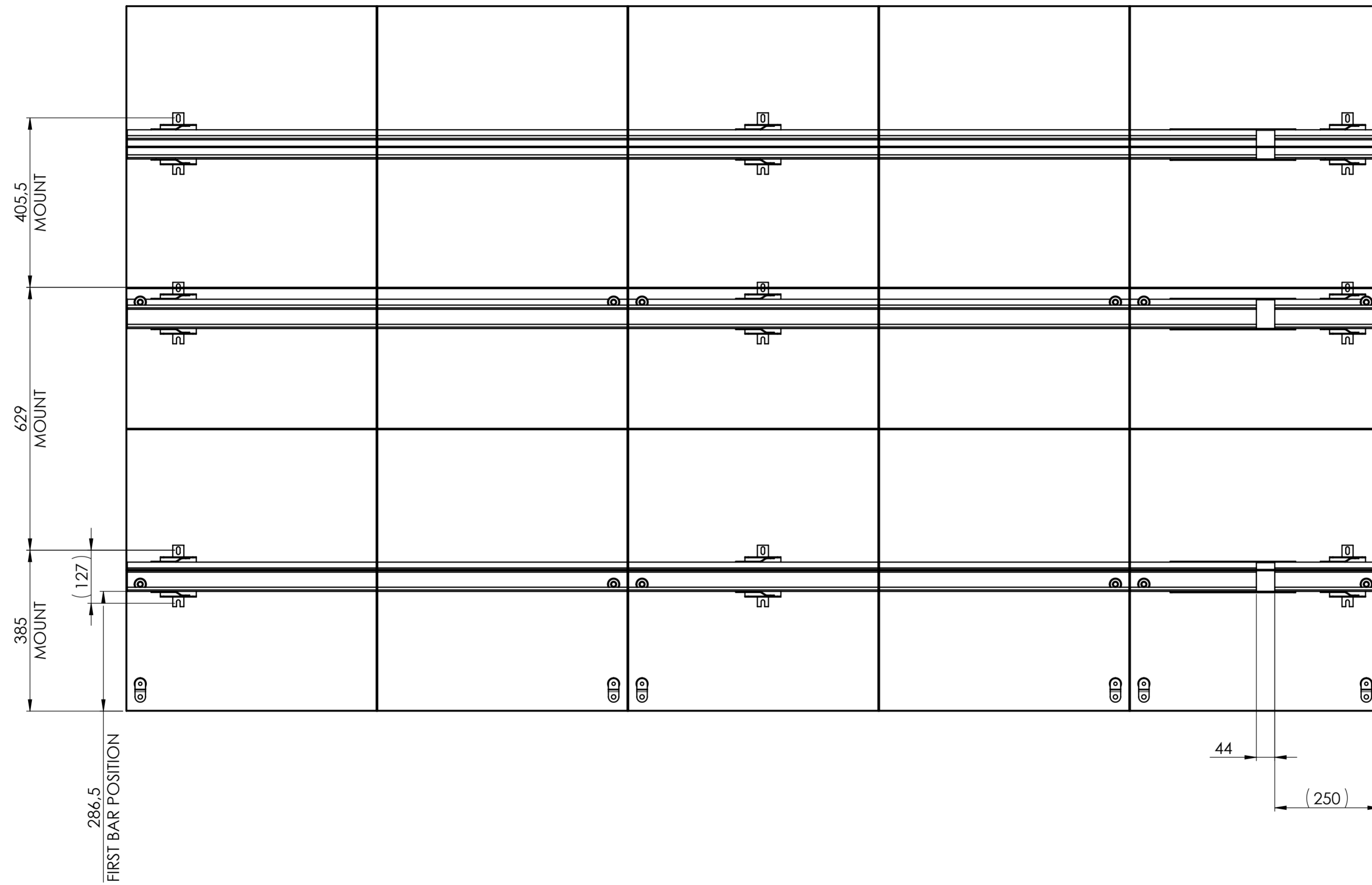
D

E

F

G

H



MINIMUM ANCHOR PULL OUT FORCE  
FLOOR PLATE:  
**6 KN PER ANCHOR**  
PLUG CALCULATION/SPECIFICATION:  
TO BE DONE BY INSTALLER

MINIMUM ANCHOR PULL OUT FORCE  
WALL SUPPORT:  
**1 KN PER ANCHOR**  
PLUG CALCULATION/SPECIFICATION:  
TO BE DONE BY INSTALLER

REFER TO COMPONENT MANUALS  
FOR INSTALLATION ADVICE

LED Drill setup  
Distance between holes per  
bracket: 127mm;  
Distance from bottom of Videowall  
to first bracket (top hole of bracket):  
385mm;  
First distance: 629mm;  
Second distance: 405.5mm (1x);

Front view - Drilling locations

Title: V100 674 LED FIXED TO WALL Pre-RFQ



Original date: 12-11-24  
Release date:

Drawing no. DW-100-674-LED-FIXED-TO-WALL-Pre-RFQ Sheet 4 of 6

**FOR QUOTATION ONLY**

This document is the property of Vogel's and may not be copied nor sold without Vogel's consent

1 2 3 4 5 6 7 8 9 10 11

A

B

C

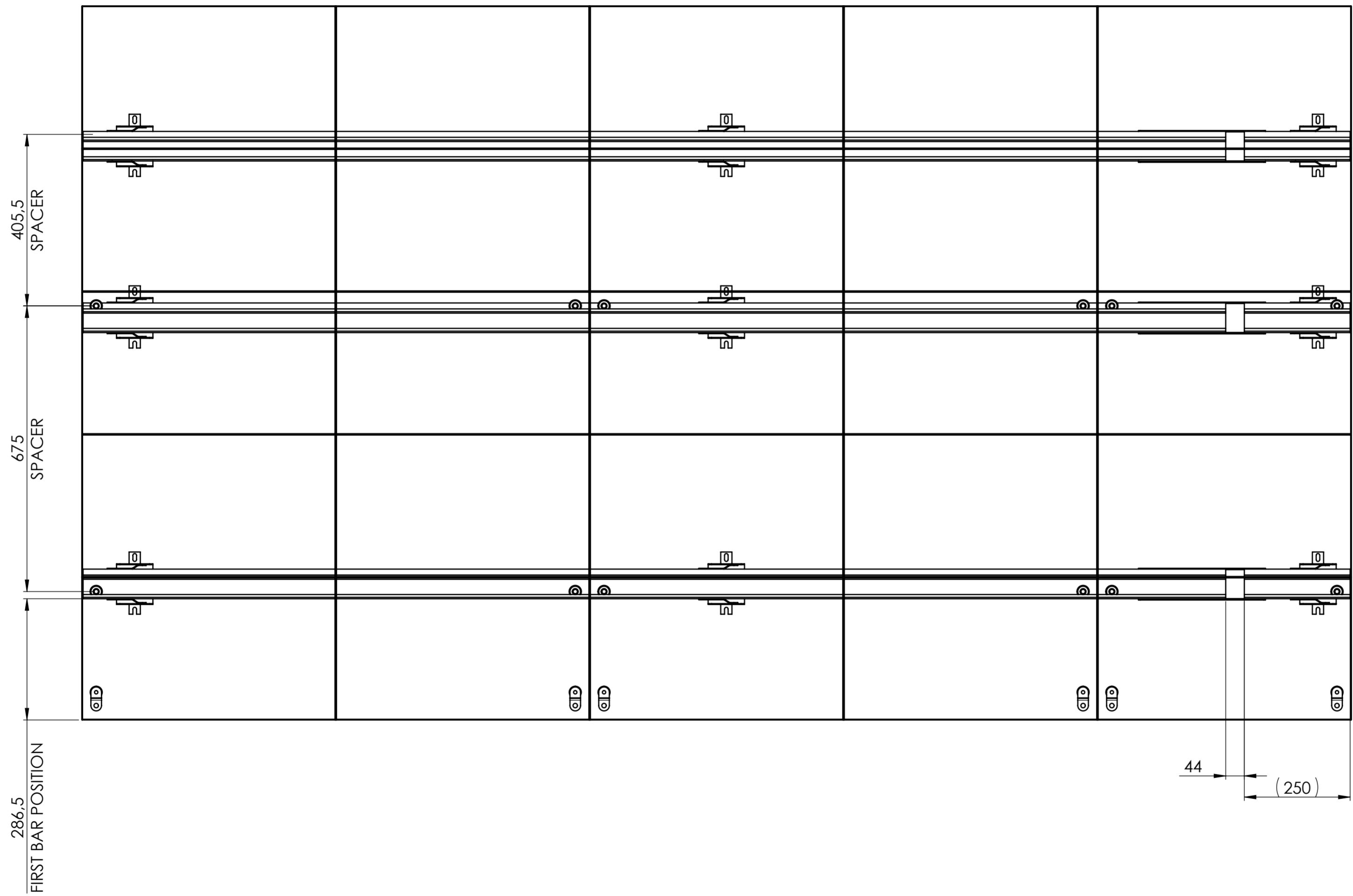
D

E

F

G

H



MINIMUM ANCHOR PULL OUT FORCE FLOOR PLATE: <b>6 KN PER ANCHOR</b> PLUG CALCULATION/SPECIFICATION: TO BE DONE BY INSTALLER
MINIMUM ANCHOR PULL OUT FORCE WALL SUPPORT: <b>1 KN PER ANCHOR</b> PLUG CALCULATION/SPECIFICATION: TO BE DONE BY INSTALLER
REFER TO COMPONENT MANUALS FOR INSTALLATION ADVICE

LED Spacer setup  
 First distance: 675mm  
 Second distance: 405.5mm (1x);  
 Place first PLA9305 cabinet bolt  
 always in lowest rail, all other  
 PLA9305 cabinet bolts are placed in  
 top rail

Front view - Spacer  
 Title: V100 674 LED FIXED TO WALL Pre-RFQ

**vogel's**  
 Original date: 12-11-24  
 Release date:

Drawing no. DW100-674-1-01 Sheet 3 of 6  
 DW100-674-1-01-03

**FOR QUOTATION ONLY**

1 2 3 4 5 6 7 8 9

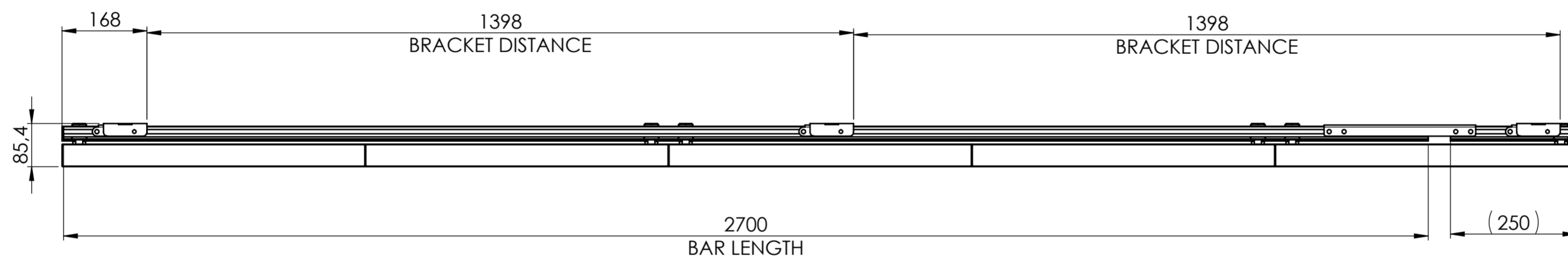
10 11

A  
B  
C  
D  
E  
F  
G  
H

<p>MINIMUM ANCHOR PULL OUT FORCE FLOOR PLATE: <b>6 KN PER ANCHOR</b> PLUG CALCULATION/SPECIFICATION: TO BE DONE BY INSTALLER</p>
<p>REFER TO COMPONENT MANUALS FOR INSTALLATION ADVICE</p>

PLB 31xx horizontal support profile configuration:  
 PLB bar set per row: (1x) PLB 3127 (2700mm);  
 PLA 9303 extension length: (1x) 44mm  
 TOTAL PROFILE LENGTH (MAXIMUM): 2994mm;  
 MINIMUM PROFILE LENGTH: 2946mm;

Distance between PLA 9302 brackets: (2x) 1398mm  
 Distance between PLA 9302 brackets is advised but can be deviated from. Maximum distance between edge of Videowall and first PLA 9302 bracket centreline: 1030mm. Maximum distance between PLA 9302 brackets: 1600mm



Top view - Fixed to wall  
 Title: V100 6741 PLB FIXED TO WALL Pre-RFQ

**vogel's**  
 Original date: 12-11-24  
 Release date:

Drawing no: DW 100 6741 PLB FIXED TO WALL Pre-RFQ  
 Sheet 18 of 6

**FOR QUOTATION ONLY**