

LED - 375 LED - IN The Best - 8x8
The purpose of this document is to provide the installer with guidelines for the installation of a Video wall as shown in this document. Final responsibility for the installation of the specific project resides with the installer of record.
This document is the property of Vogel's and may not be copied nor sold without Vogel's consent.

Front view - ISO
Title: V100 6741 LED - FIXED TO WALL Pre-RFQ

vogel's
Original date: 12-11-24
Release date:

Drawing no: DW-100-6741-LED-ISO
Sheet 1 of 6
A2

FOR QUOTATION ONLY

1

2

3

4

5

6

7

8

9

10

11

A

B

C

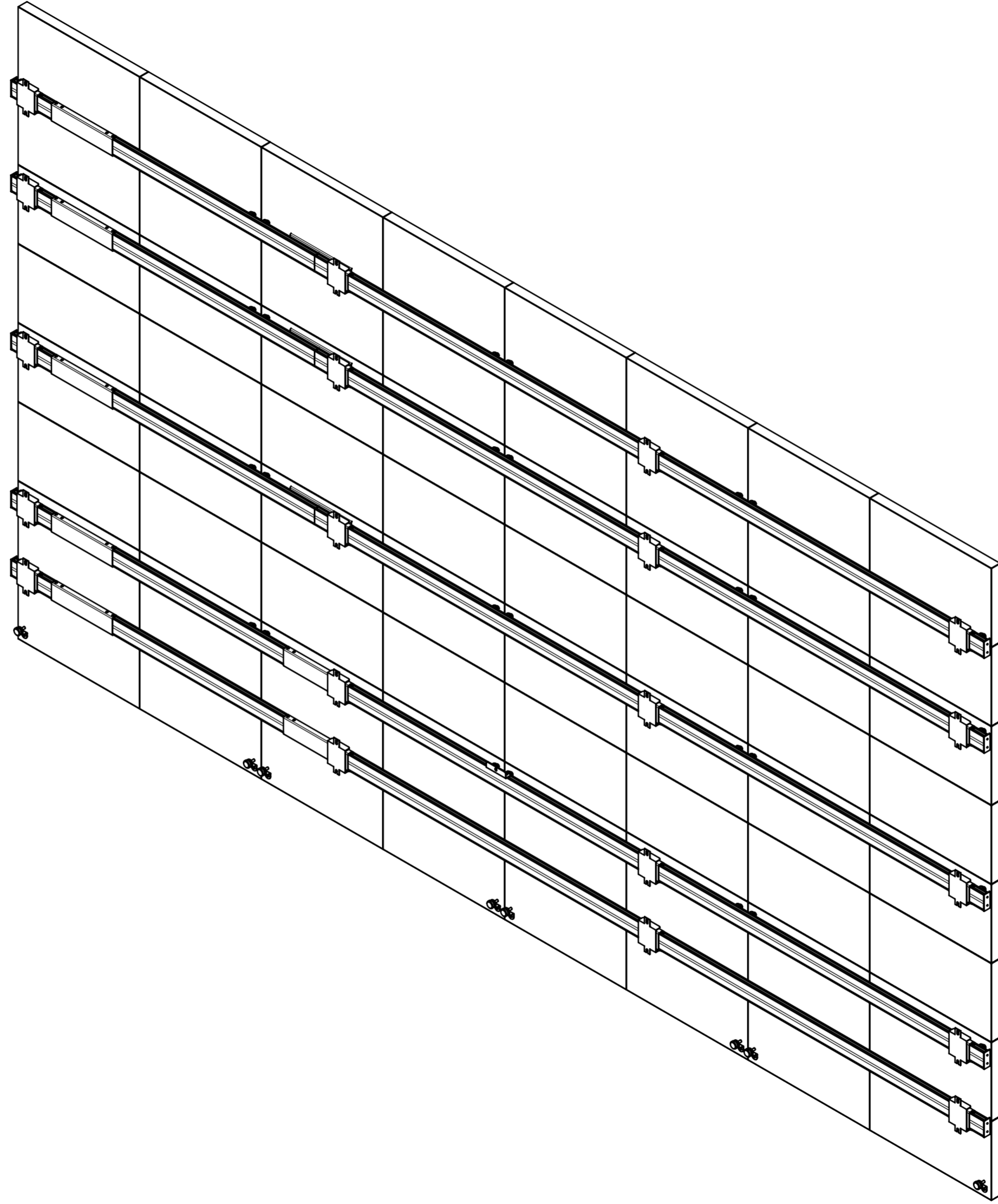
D

E

F

G

H



Rear view - ISO
 Title: V100 6741100 - FIXED TO WALL Pre-RFQ

vogel's
 Original date: 12-11-24
 Release date:

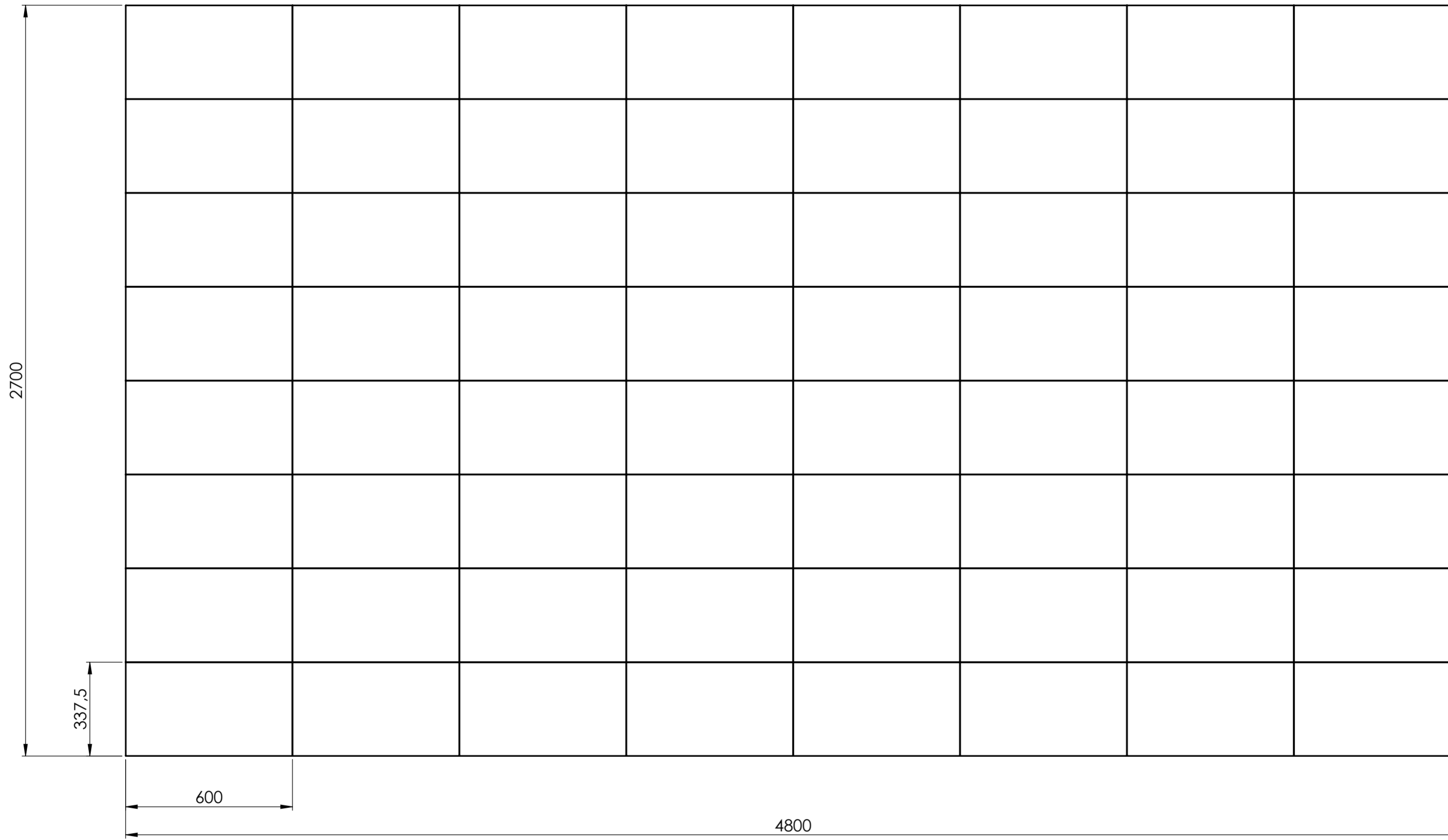
Drawing no. DW1006741100-01 Sheet 2 of 6
 DW1006741100-01

FOR QUOTATION ONLY

This document is the property of Vogel's and may not be copied nor sold without Vogel's consent

Minimum distance wall to front of the display: 85mm (-0/+40mm)

A
B
C
D
E
F
G
H



Front view
Title: V100 6741100 - FIXED TO WALL Pre-RFQ

vogel's
Original date: 12-11-24
Release date:

Drawing no: DW 100 6741100
Sheet 3 of 6
Title: DW 100 6741100 - FIXED TO WALL Pre-RFQ

FOR QUOTATION ONLY

1 2 3 4 5 6 7 8 9 10 11

A

B

C

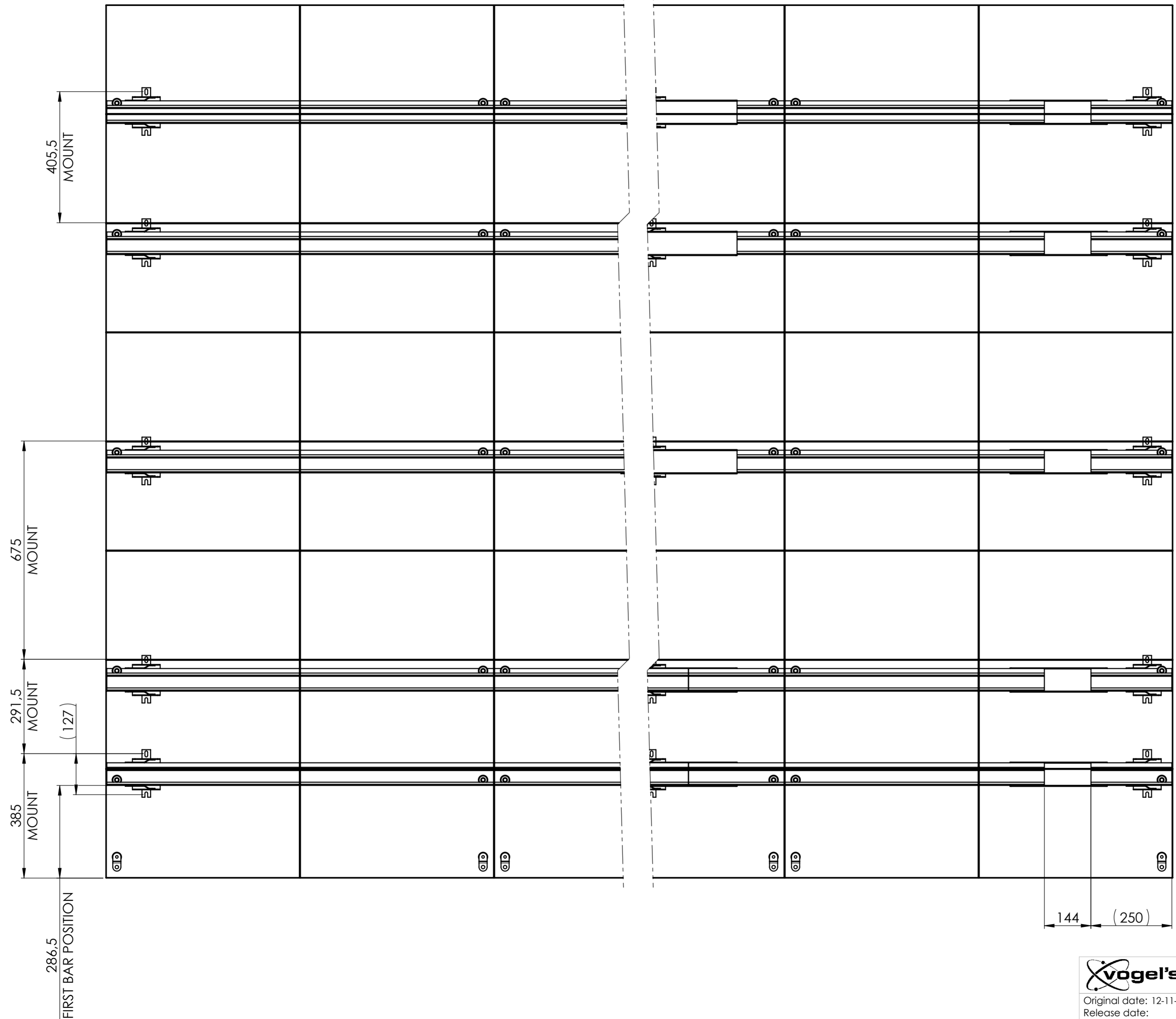
D

F

F

G

H



MINIMUM ANCHOR PULL OUT FORCE FLOOR PLATE: 6 KN PER ANCHOR PLUG CALCULATION/SPECIFICATION: TO BE DONE BY INSTALLER
MINIMUM ANCHOR PULL OUT FORCE WALL SUPPORT: 1 KN PER ANCHOR PLUG CALCULATION/SPECIFICATION: TO BE DONE BY INSTALLER
REFER TO COMPONENT MANUALS FOR INSTALLATION ADVICE

LED Drill setup
 Distance between holes per
 bracket: 127mm;
 Distance from bottom of Videowall
 to first bracket (top hole of bracket):
 385mm;
 First distance: 291.5mm;
 Second distance: 675mm (2x);
 Third distance: 405.5mm

Front view - Drill locations

Title: V100 674 LED FIXED TO WALL Pre-RFQ



Original date: 12-11-24
Release date:

Drawing no. DW-100-674-LED-FIXED-TO-WALL-CONFIGURATION-01 Sheet 4 of 6

FOR QUOTATION ONLY

1 2 3 4 5 6 7 8 9 10 11

A

B

C

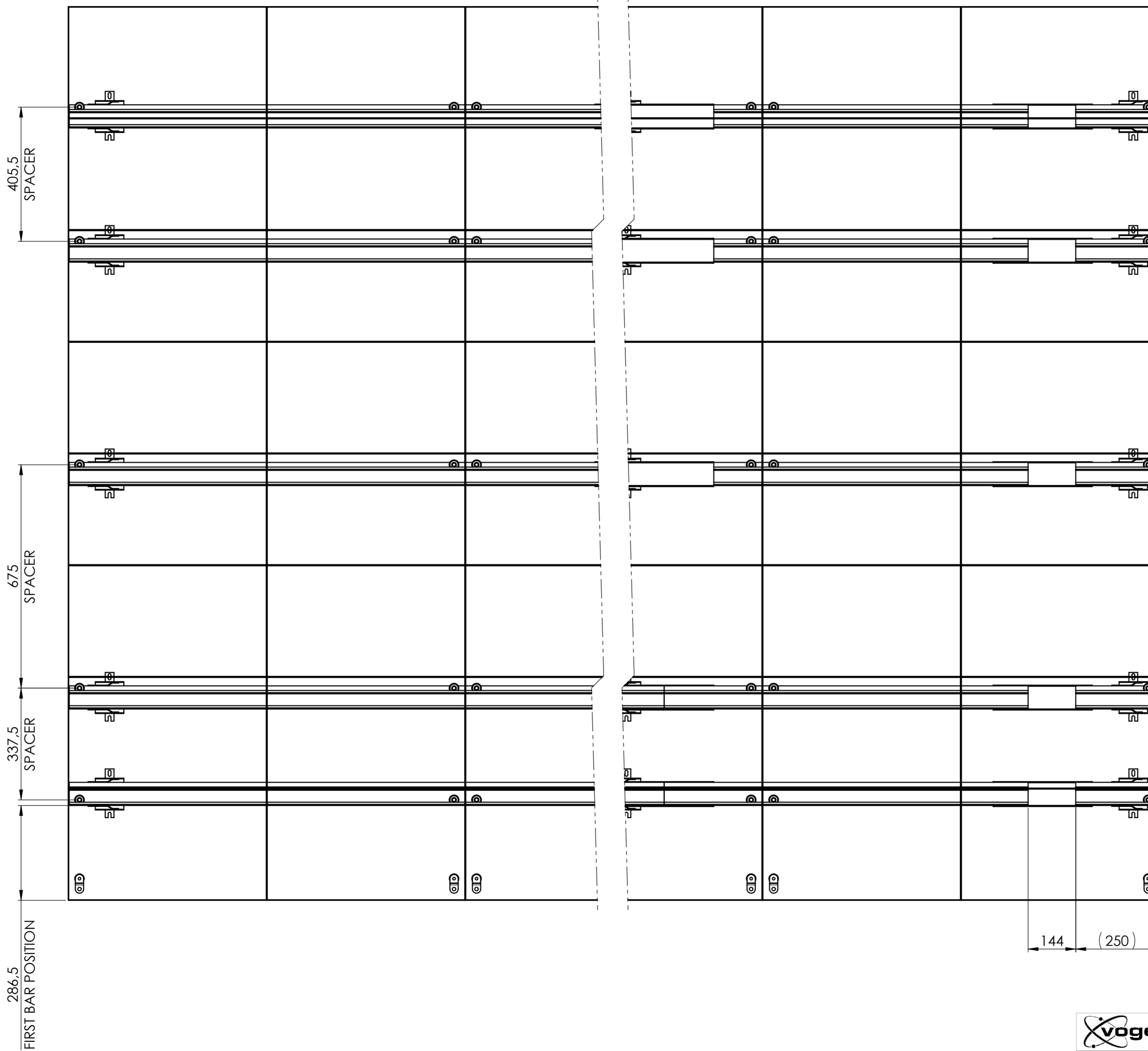
D

E

F

G

H



<p>MINIMUM ANCHOR PULL OUT FORCE FLOOR PLATE: 6 KN PER ANCHOR PLUG CALCULATION/SPECIFICATION: TO BE DONE BY INSTALLER</p>
<p>MINIMUM ANCHOR PULL OUT FORCE WALL SUPPORT: 1 KN PER ANCHOR PLUG CALCULATION/SPECIFICATION: TO BE DONE BY INSTALLER</p>
<p>REFER TO COMPONENT MANUALS FOR INSTALLATION ADVICE</p>

LED Spacer setup
 First distance: 337.5mm
 Second distance: 675mm (2x);
 Third distance: 405.5mm
 Place first PLA9305 cabinet bolt
 always in lowest rail, all other
 PLA9305 cabinet bolts are placed in
 top rail

Front view - Spacer
 Title: **V100 674 LED FIXED TO WALL Pre-RFQ**

vogel's
 Original date: 12-11-24
 Release date:

Drawing no: **V100 674 LED FIXED TO WALL Pre-RFQ**
 DWG. No. **V100 674 LED FIXED TO WALL Pre-RFQ** Sheet **1** of **6**

FOR QUOTATION ONLY

This document is the property of Vogel's and may not be copied nor sold without Vogel's consent

1 2 3 4 5 6 7 8 9

10 11

A

B

C

D

E

F

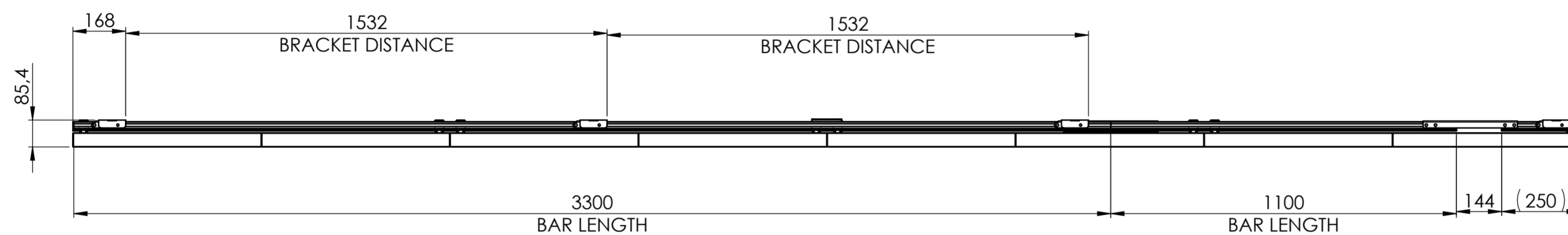
G

H

<p>MINIMUM ANCHOR PULL OUT FORCE FLOOR PLATE: 6 KN PER ANCHOR PLUG CALCULATION/SPECIFICATION: TO BE DONE BY INSTALLER</p>
<p>REFER TO COMPONENT MANUALS FOR INSTALLATION ADVICE</p>

PLB 31xx horizontal support profile configuration:
 PLB bar set per row: (1x) PLB 3133 (3300mm); (1x) PLB 3111 (1100mm)
 PLA 9303 extension length: (1x) 144mm
 TOTAL PROFILE LENGTH (MAXIMUM): 4794mm;
 MINIMUM PROFILE LENGTH: 4746mm;

Distance between PLA 9302 brackets: (3x) 1532mm
 Distance between PLA 9302 brackets is advised but can be deviated from. Maximum distance between edge of Videowall and first PLA 9302 bracket centreline: 1030mm. Maximum distance between PLA 9302 brackets: 1600mm



Top view - Fixed to wall
 Title: **V100 6741 PLB FIXED TO WALL Pre-RFQ**



Original date: 12-11-24
 Release date:

Drawing no: DW 100 6741 PLB FIXED TO WALL
 Sheet 18 of 6

FOR QUOTATION ONLY