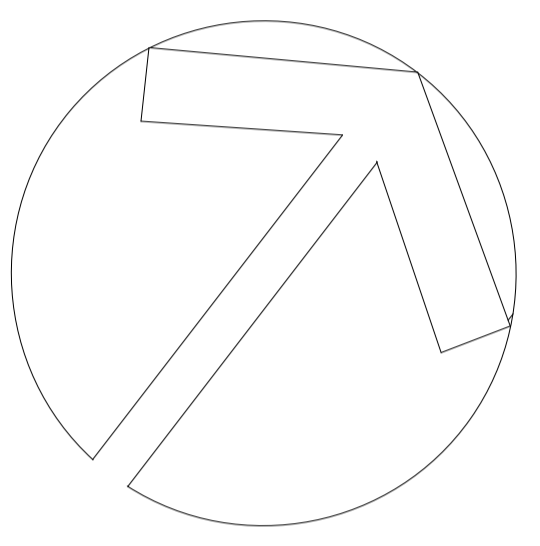
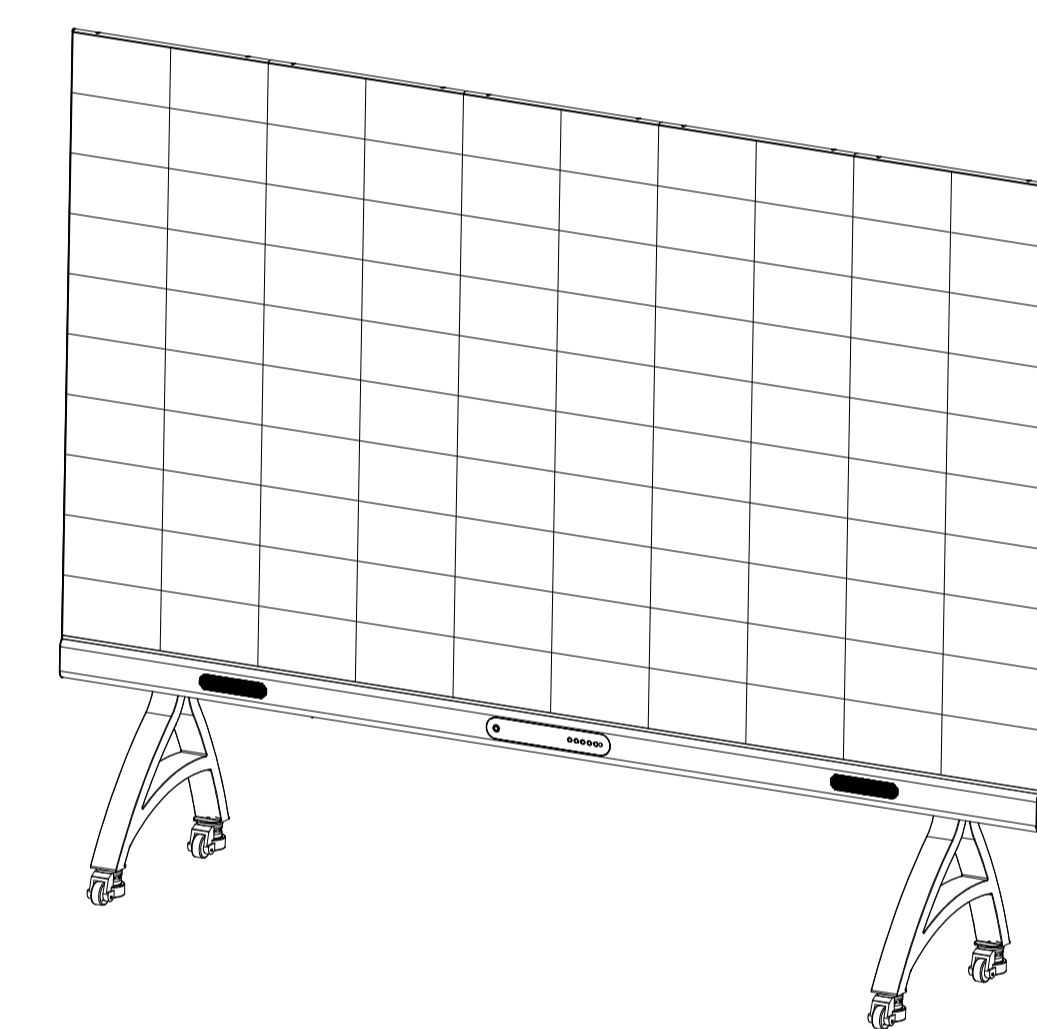
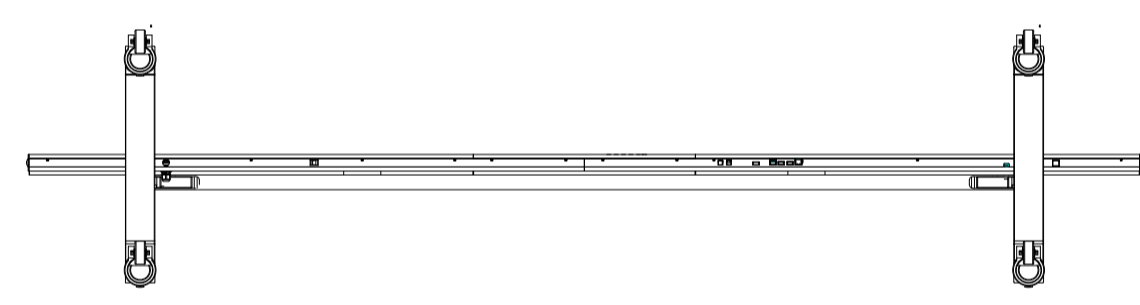
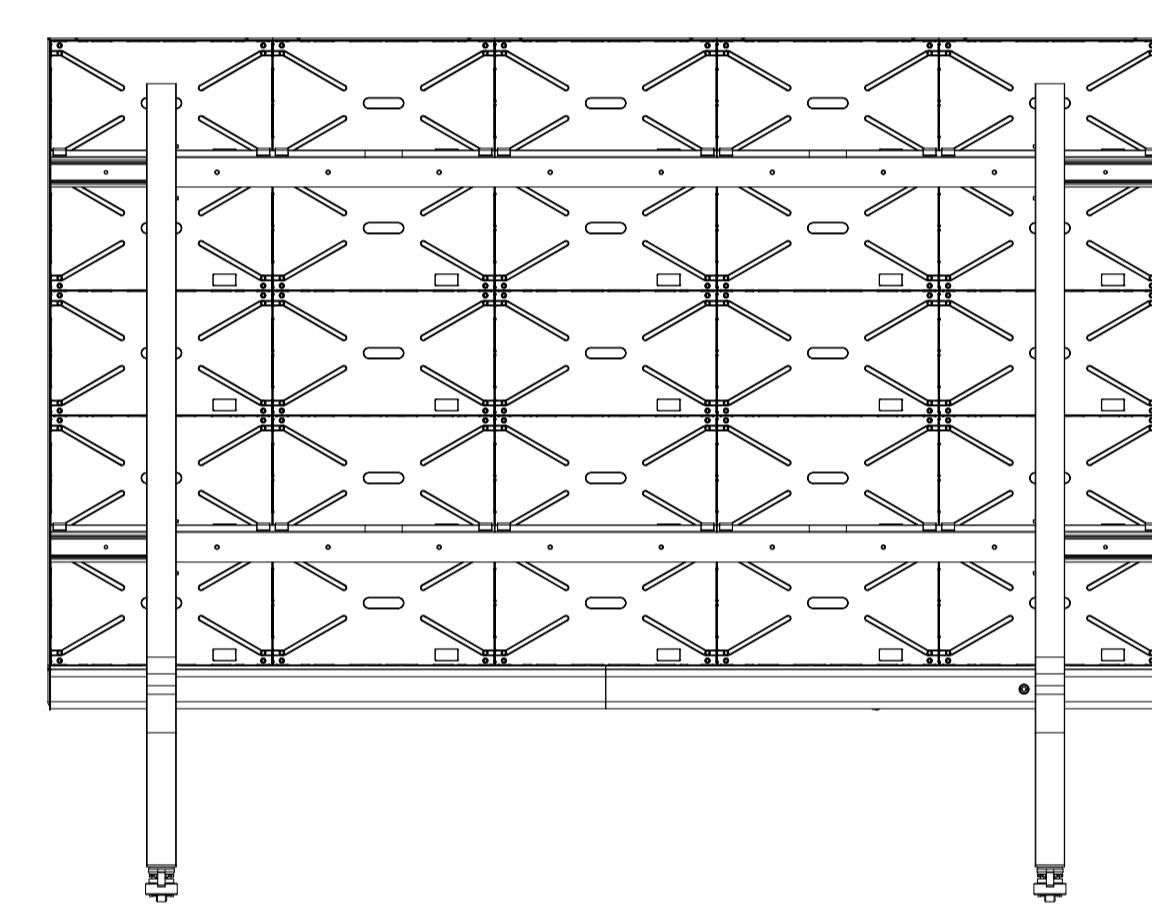
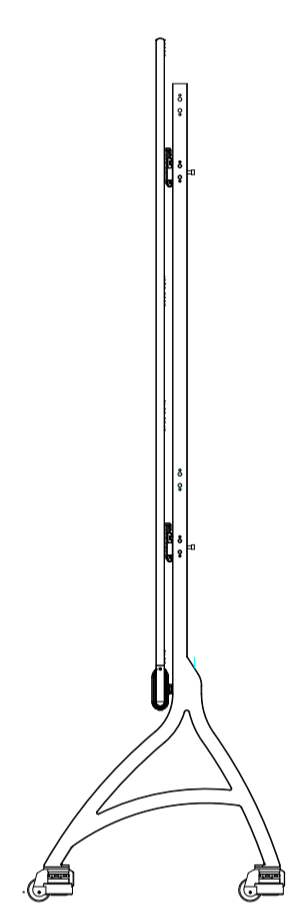
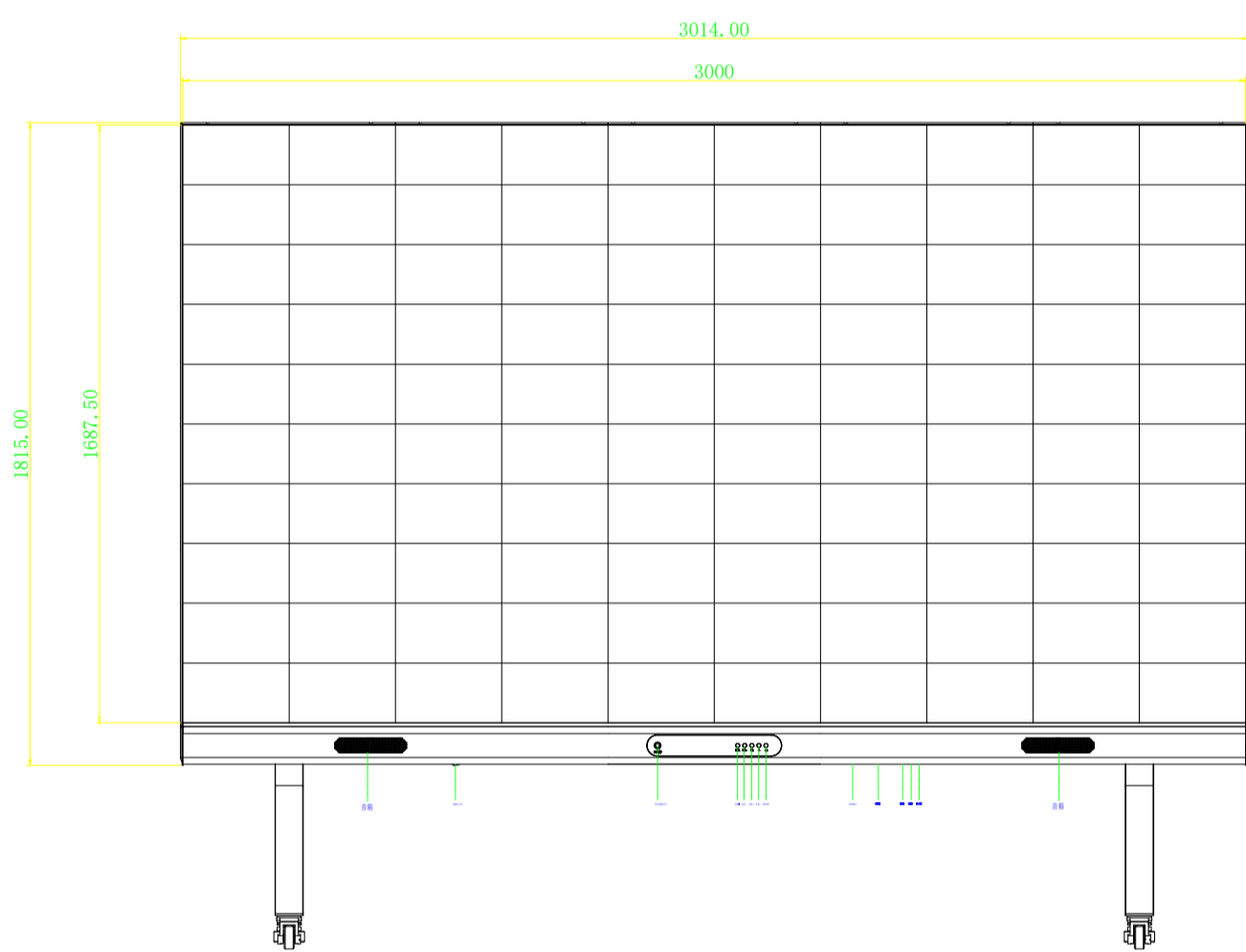
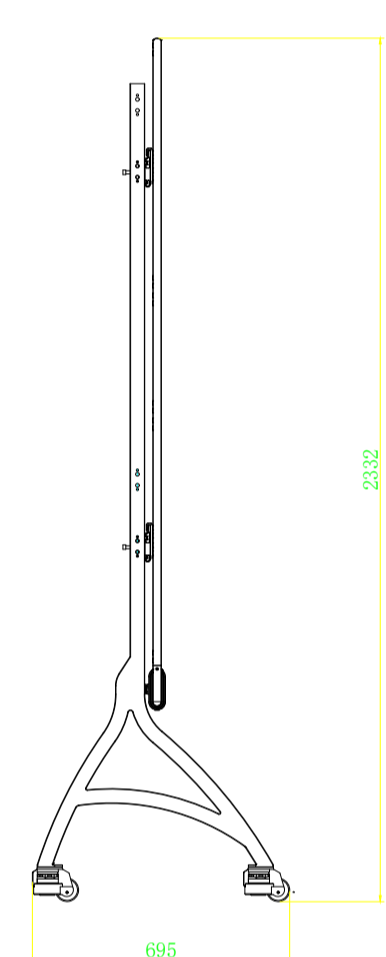
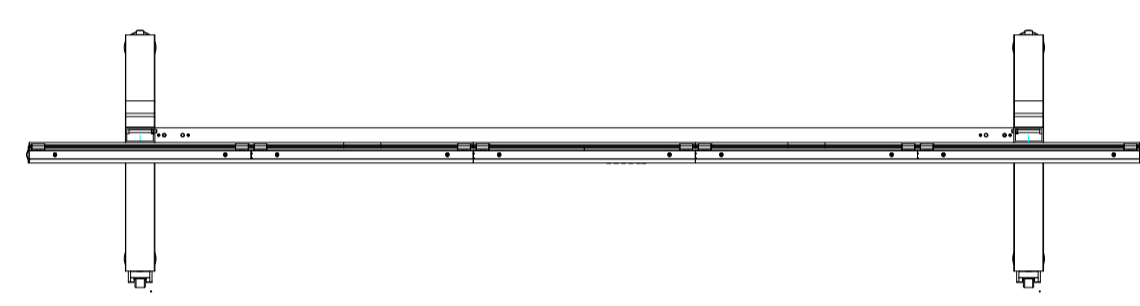
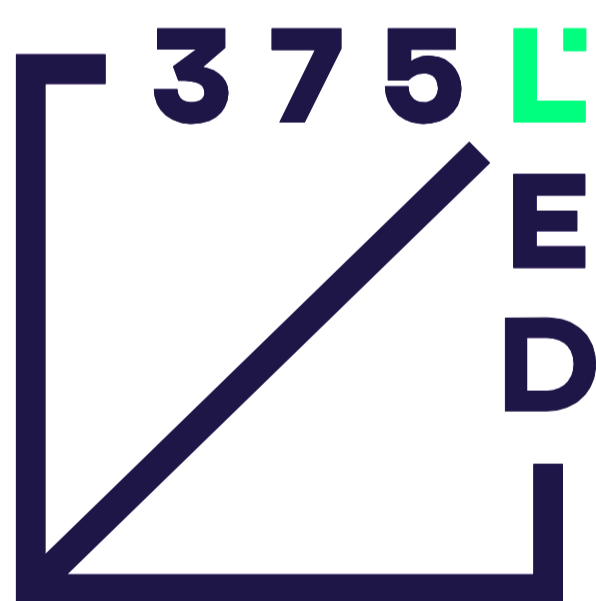
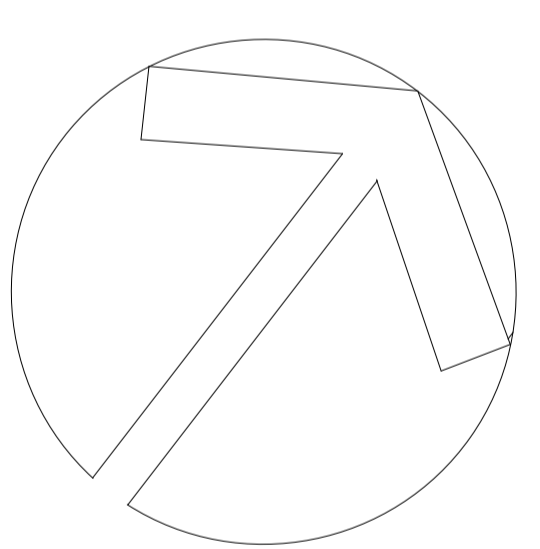
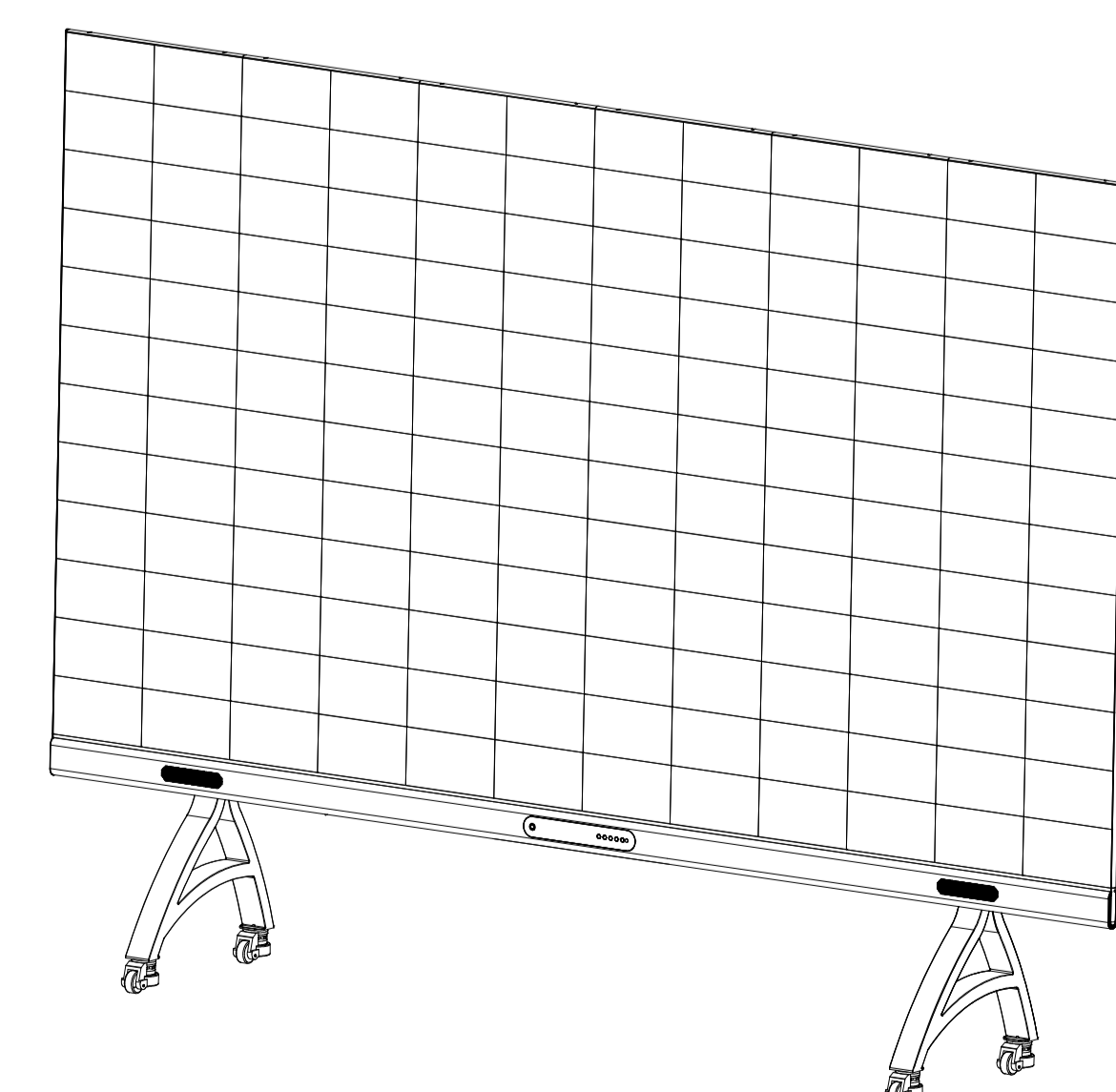
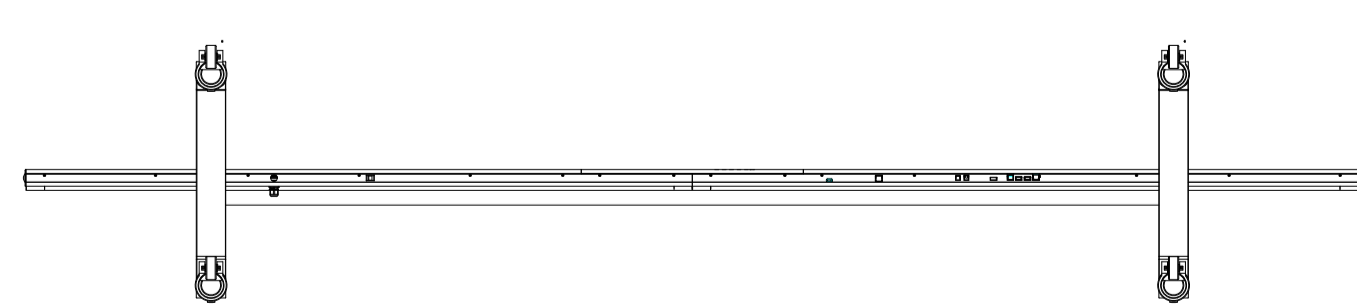
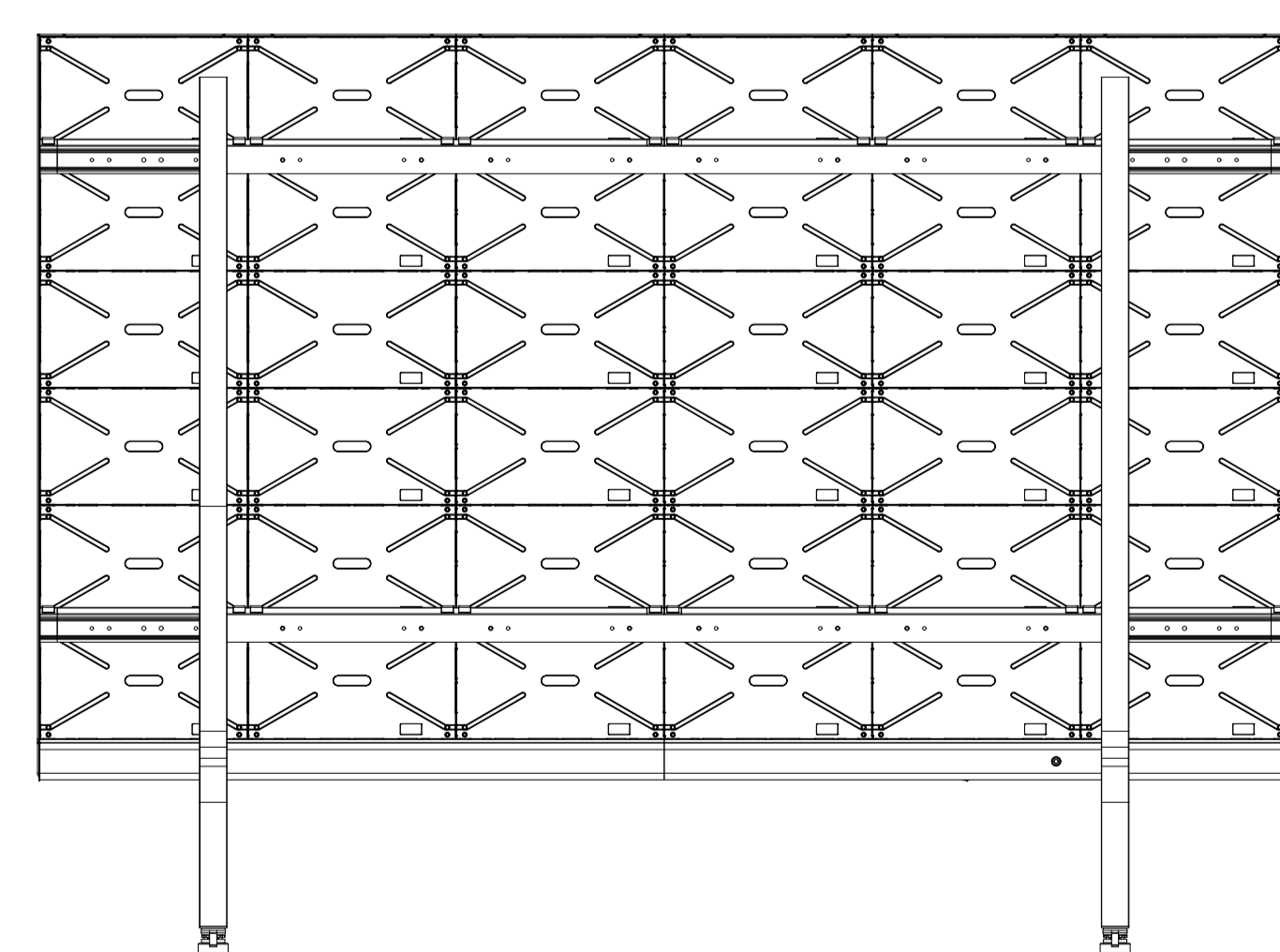
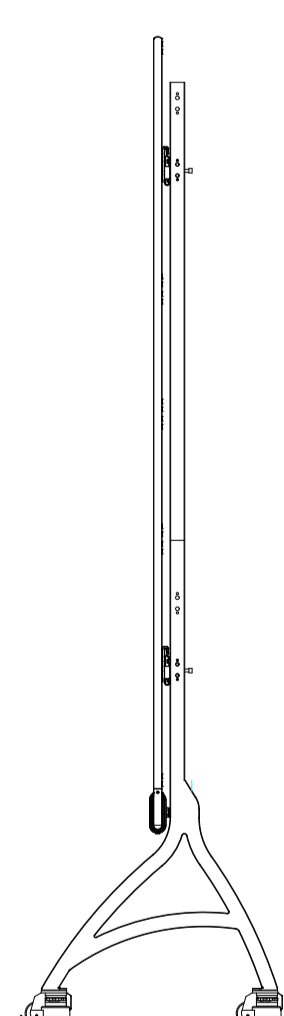
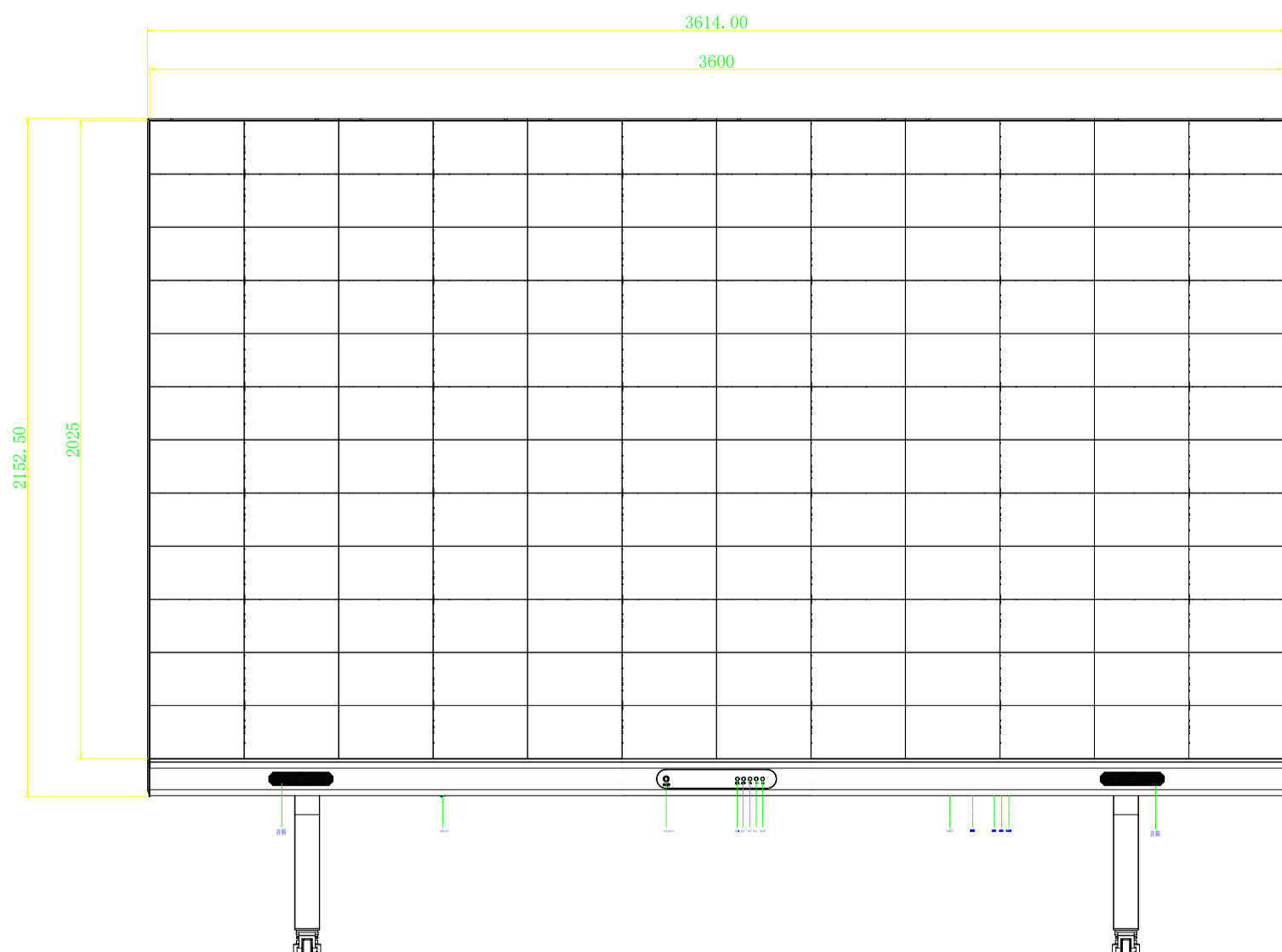
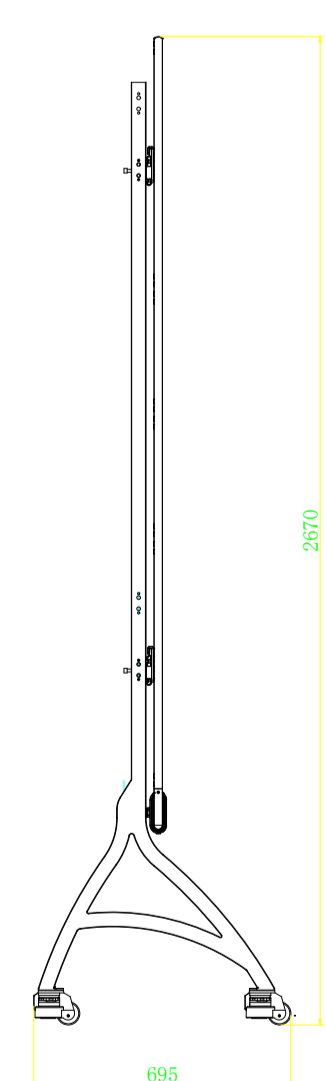
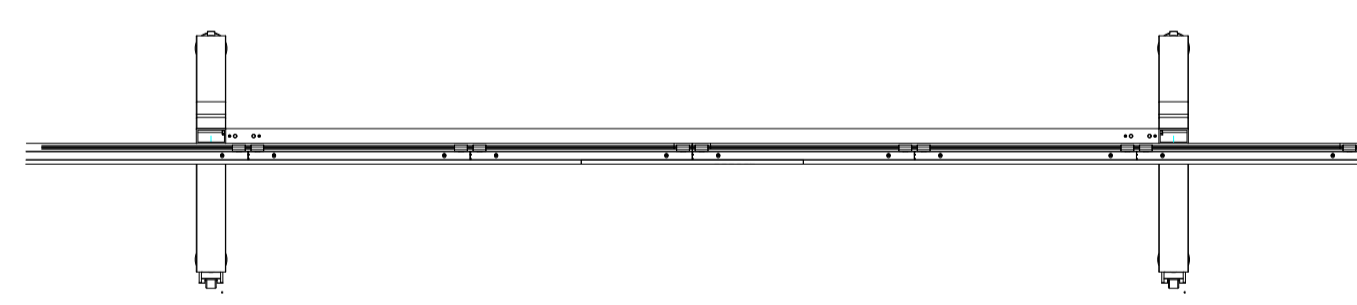
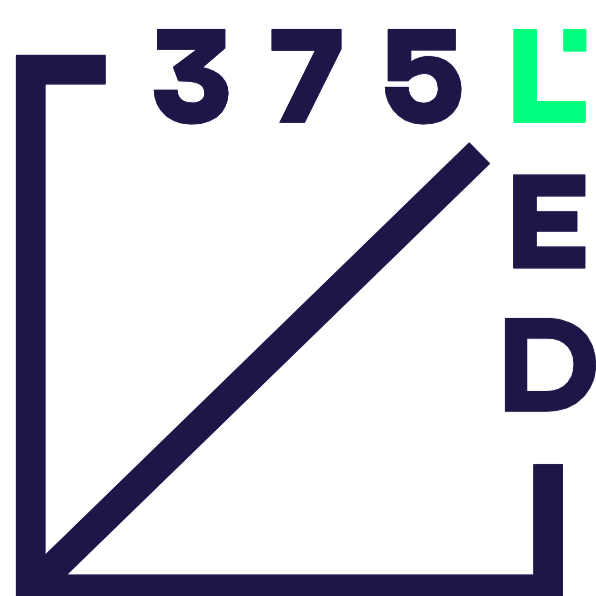
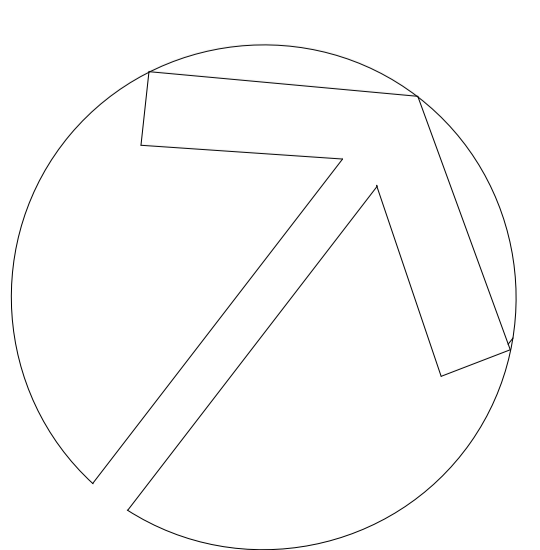
	PROJECT			
	PRODUCT 375 LED ALL IN ONE GOB 108"			
	SCALE 1:1	SURFACE = 3.24 SQM	DRAWING No.	
	DATE 04/03/2026	KEY PLAN	V1	



	PROJECT			
	PRODUCT 375 LED ALL IN ONE GOB 135"			
	SCALE 1:1	SURFACE = 5.0625 SQM	DRAWING No.	
	DATE 04/03/2026	KEY PLAN	V1	



	PROJECT			
	PRODUCT 375 LED ALL IN ONE GOB 162"			
	SCALE 1:1	SURFACE = 7.29 SQM	DRAWING No.	
	DATE 04/03/2026	KEY PLAN	V1	